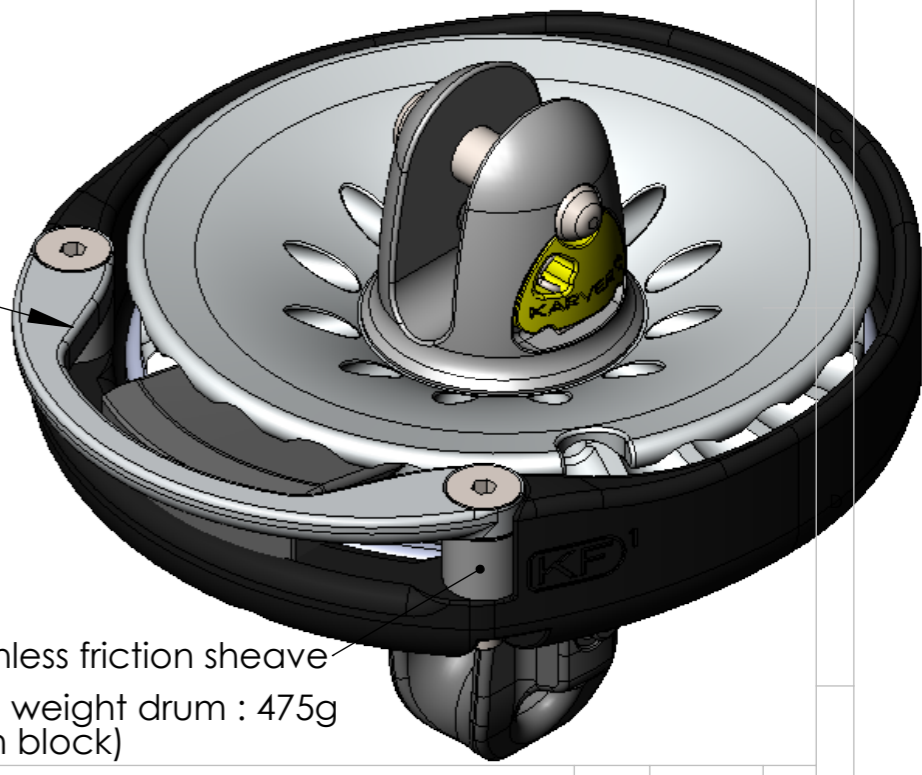
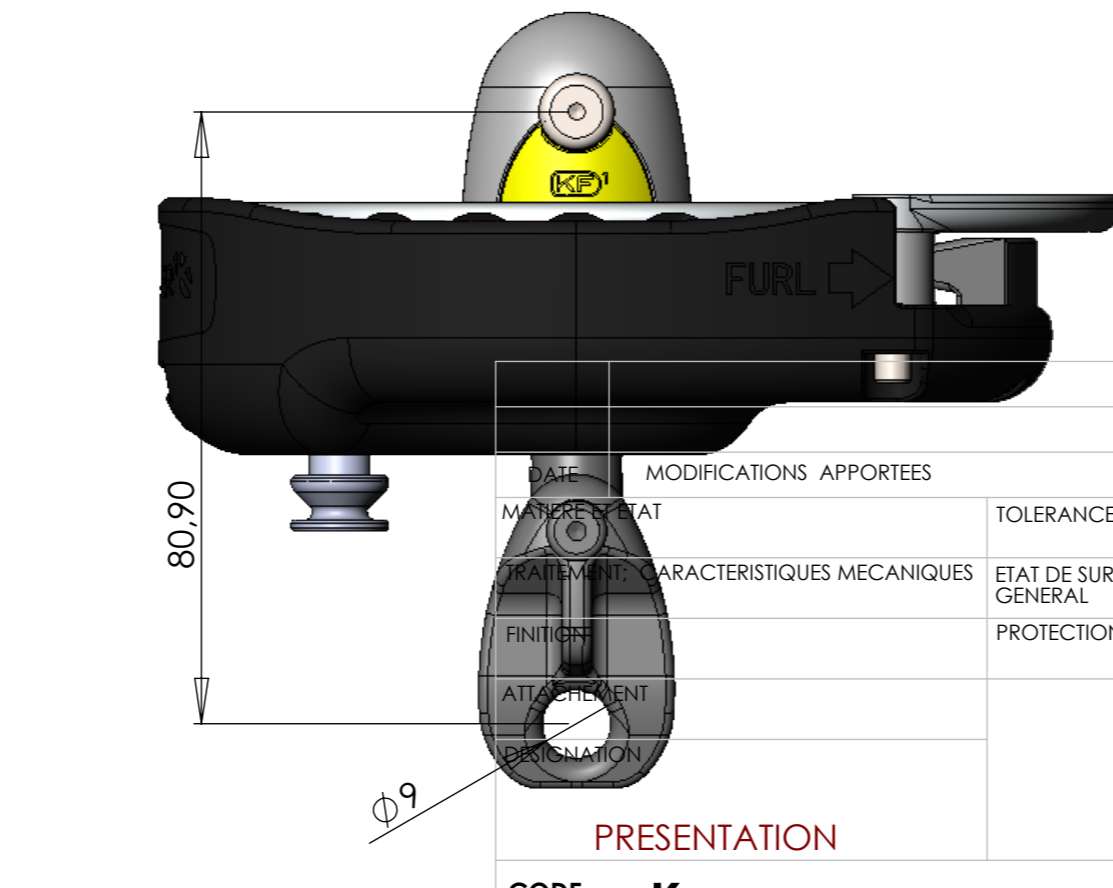


Total weight : 330g



Part lashed to the mast  
**MAX HALYARD DIAMETER : 5MM**



Aluminium

Stainless friction sheave  
 Total weight drum : 475g  
 (With block)

**WORKING LOAD : 1.5T BREAKING : 3T**

DATE	MODIFICATIONS APORTEES	NOM	VISA	IND.
MATIERE ET ETAT	TOLERANCE GENERALE	EVOLUTION DU DOCUMENT		
TRATTEMENT, CARACTERISTIQUES MECANQUES	ETAT DE SURFACE GENERAL	DESS. PAR Le: M.C	MASSE	ECHELLE 3/2
FINITION	PROTECTION	FOLIO		
ATTACHEMENT	MATERIEL			
DESIGNATION	KFH1+	www.karver-systems.com		
<b>PRESENTATION</b>	<b>CODE PRODUIT K</b>	<b>CODE PIECE</b>		FORMAT A3