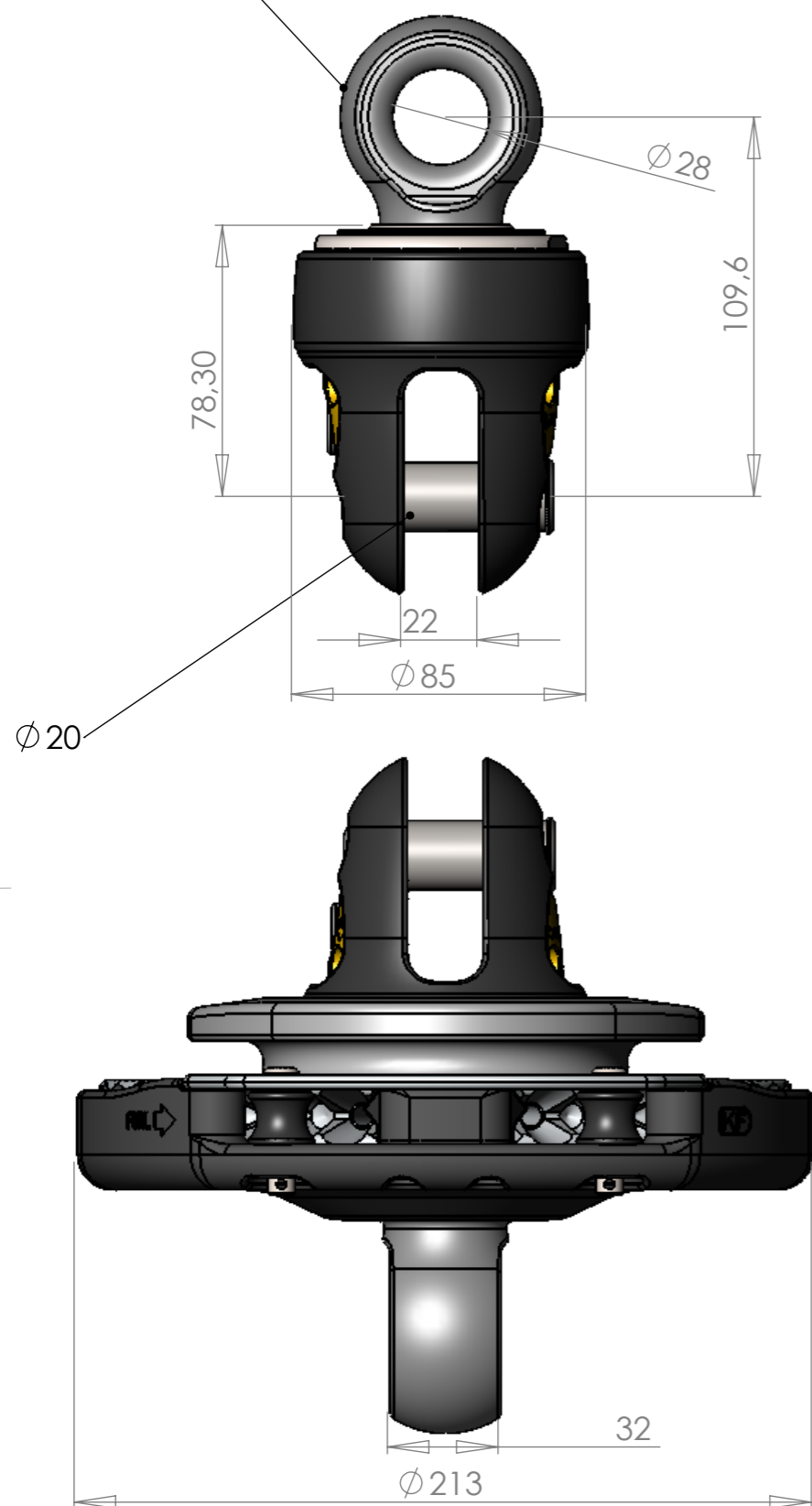
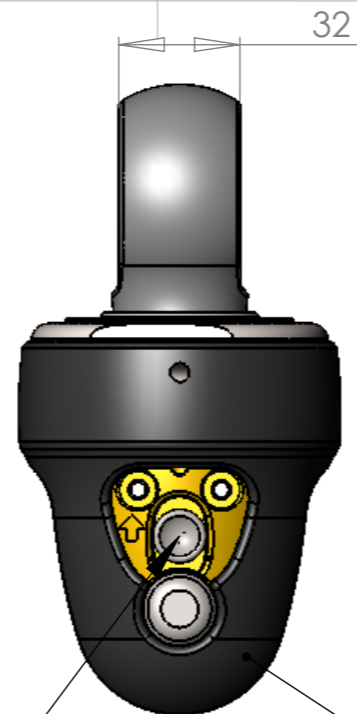


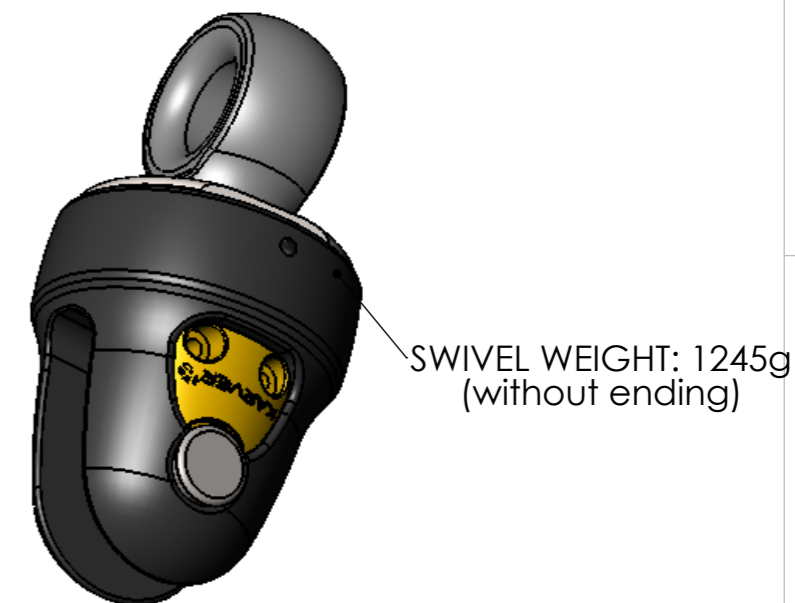
Lashing eye (example)



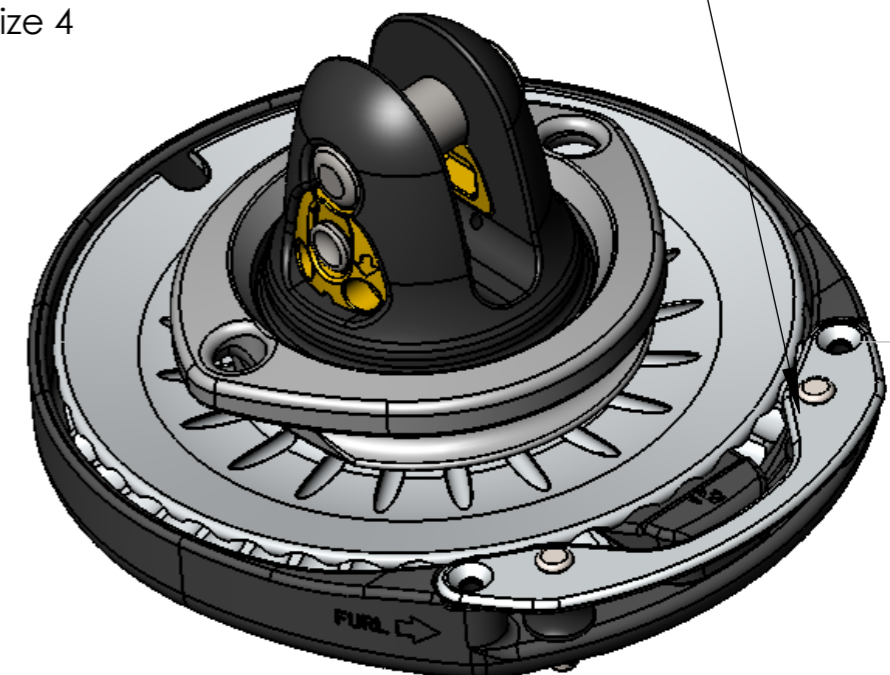
Fast pin mechanism



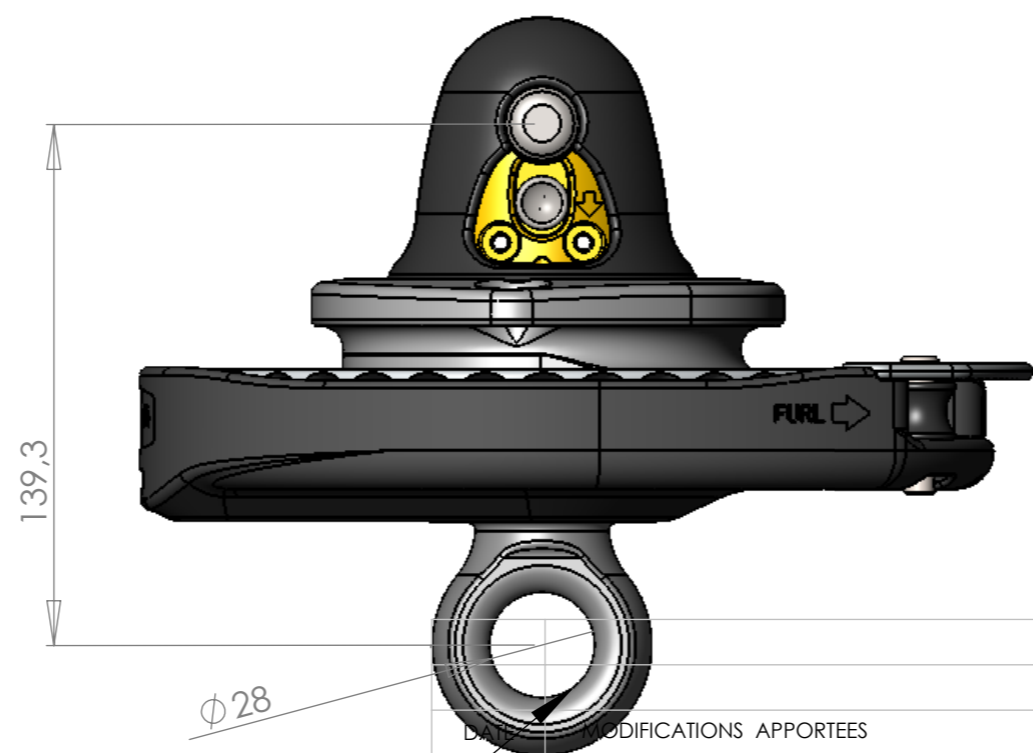
Fork for Future fibres size 4 (example)



FAST LOOP LINE ENGAGEMENT



WEIGHT: 2900g (without ending)



Standard eye (example)

Max working load: 16T Breaking: 32T

DATE DES MODIFICATIONS APORTEES		NOM	VISA	IND.
MATIERE ET ETAT	TOLERANCE GENERALE	EVOLUTION DU DOCUMENT		
TRAITEMENT; CARACTERISTIQUES MECANIKES	ETAT DE SURFACE GENERAL	DESS. PAR Le: M.C	MASSE	ECHELLE
FINITION	PROTECTION	FOLIO		
ATTACHEMENT	MATERIEL			
DESIGNATION	KSF16		www.karver-systems.com	
PRESENTATION	CODE PIECE			FORMAT A3
CODE PRODUIT K				