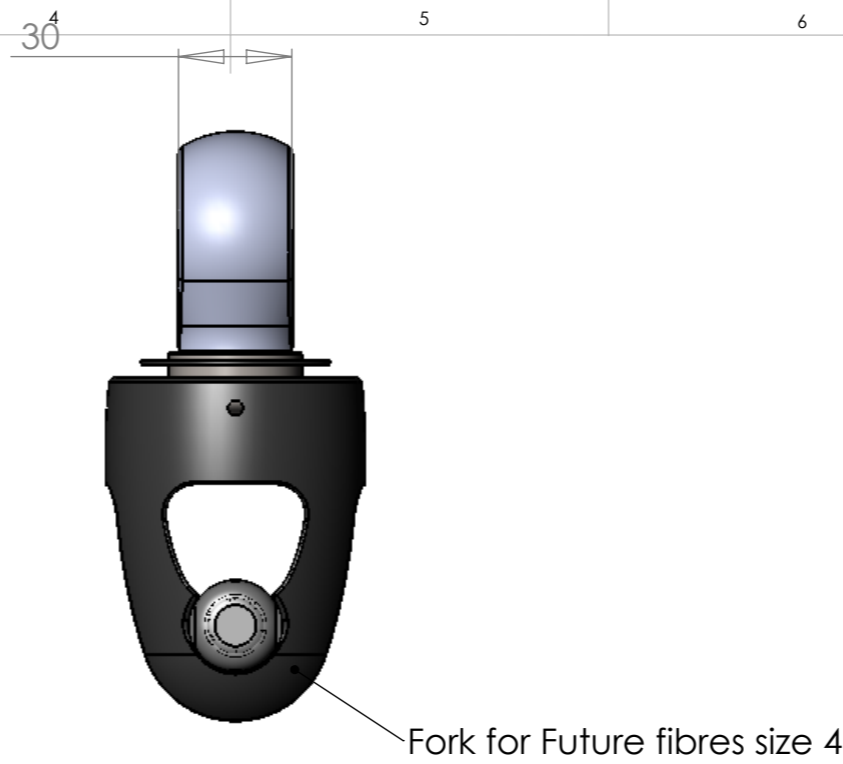
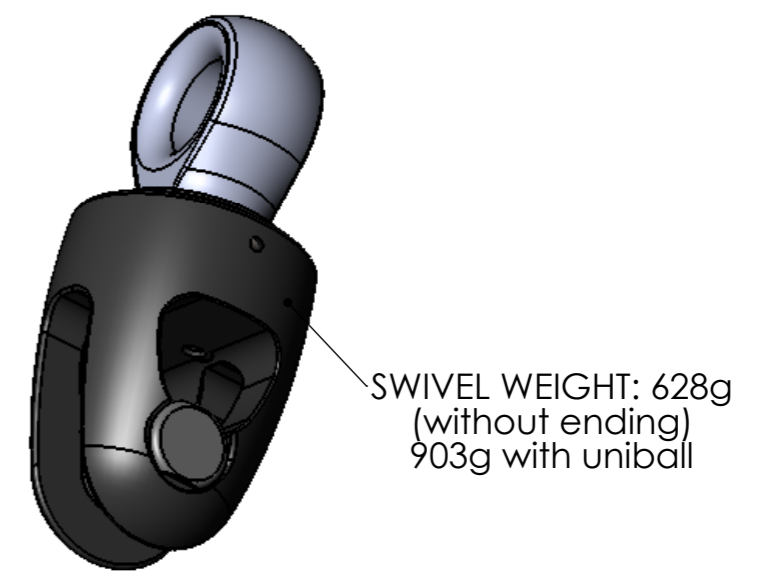


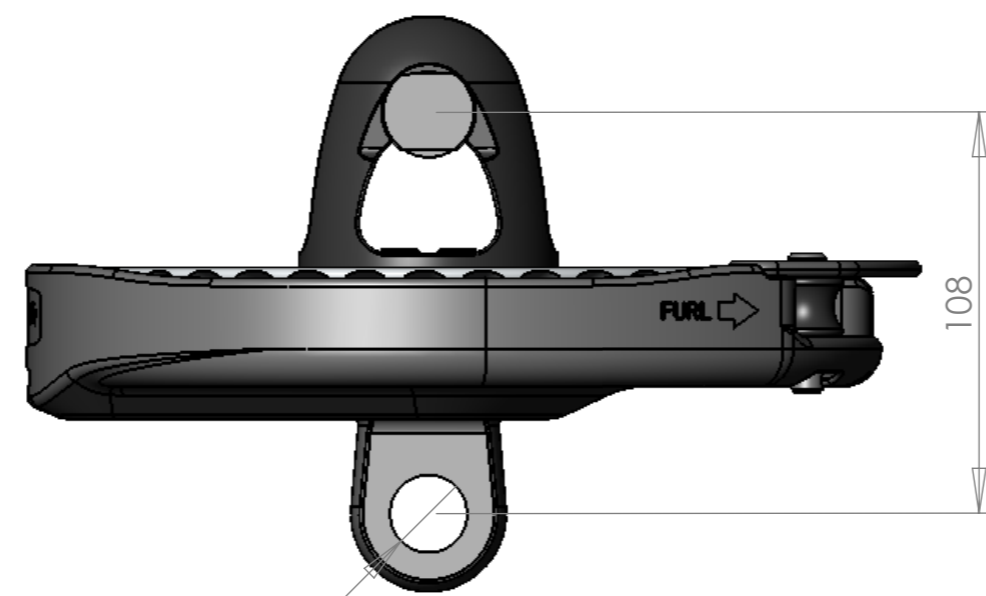
Max working load: 12T Breaking: 24T



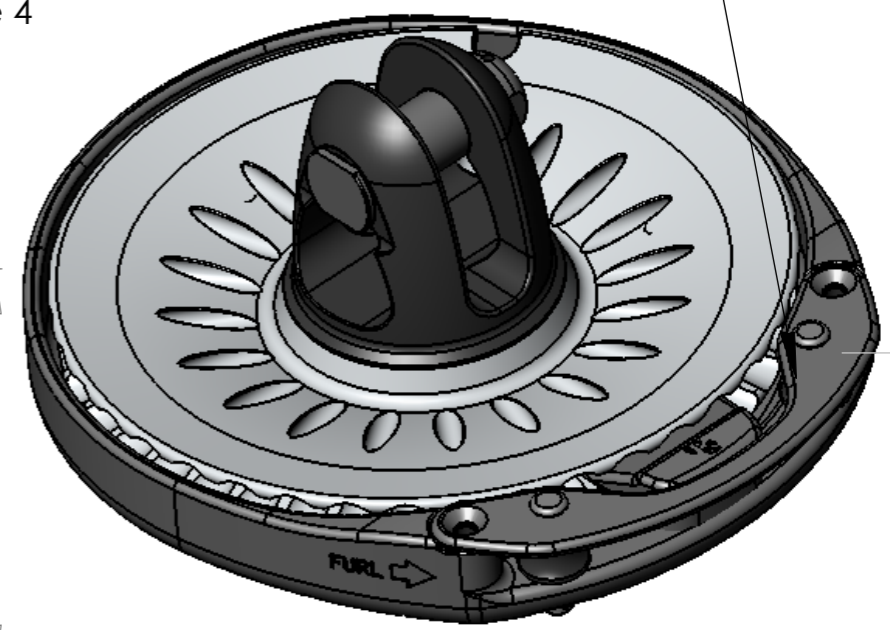
Fork for Future fibres size 4



SWIVEL WEIGHT: 628g (without ending) 903g with uniball



FAST LOOP LINE ENGAGEMENT



WEIGHT: 1632g (without ending)

DATE	MODIFICATIONS APORTEES	NOM	VISA	IND.
MATIERE ET ETAT	TOLERANCE GENERALE	EVOLUTION DU DOCUMENT		
TRAITEMENT; CARACTERISTIQUES MECANIQUES	ETAT DE SURFACE GENERAL	DESS. PAR Le: M.C	MASSE	ECHELLE
FINITION	PROTECTION	FOLIO		
ATTACHEMENT	MATERIEL		 www.karver-systems.com	
DESIGNATION	PRESENTATION		KFX12	
CODE PRODUIT	K	CODE PIECE		FORMAT A3