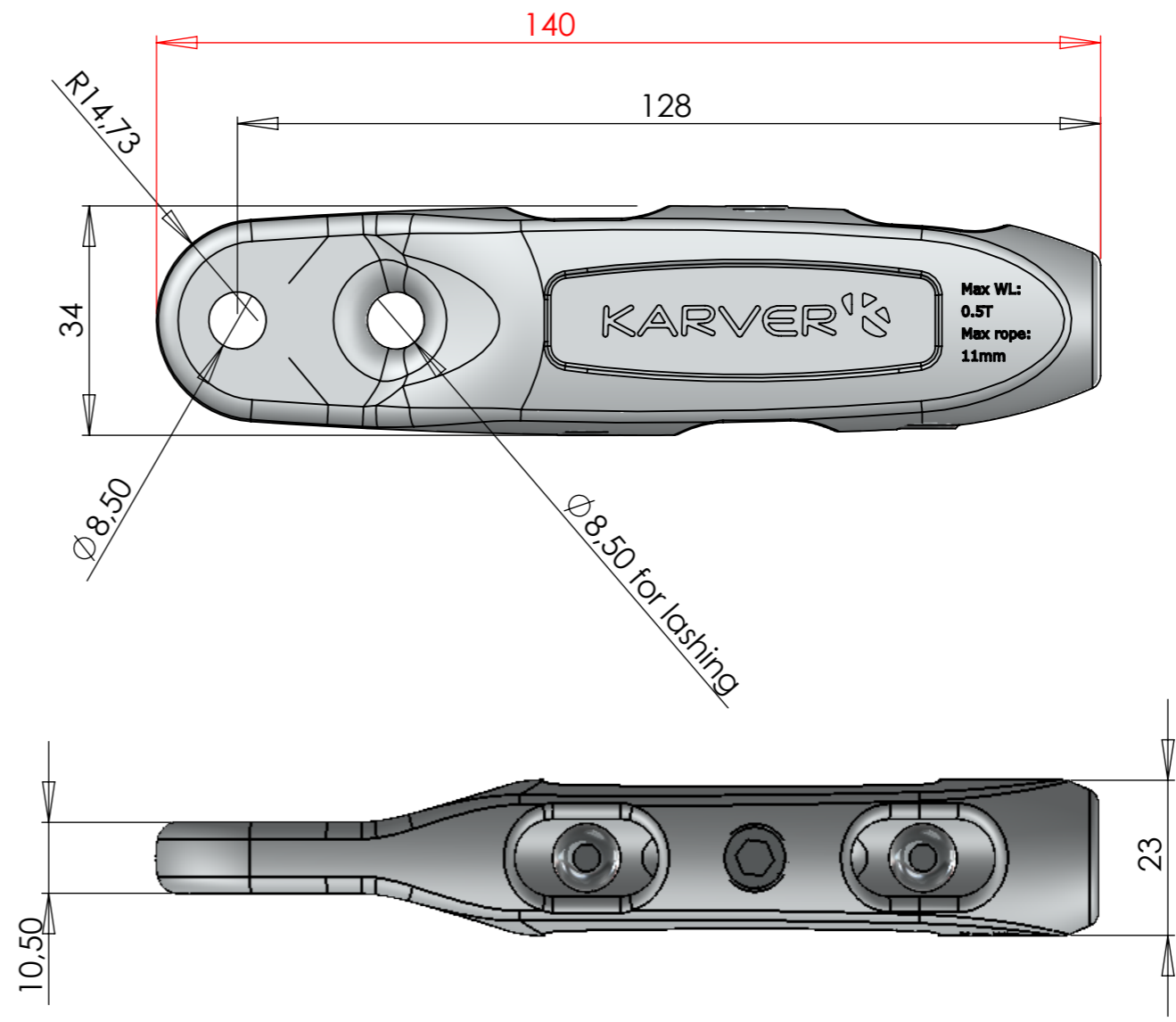
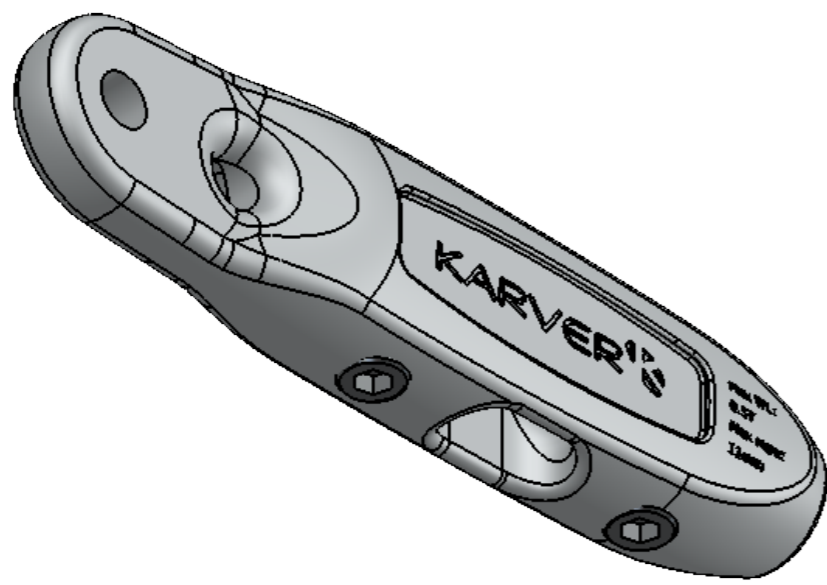
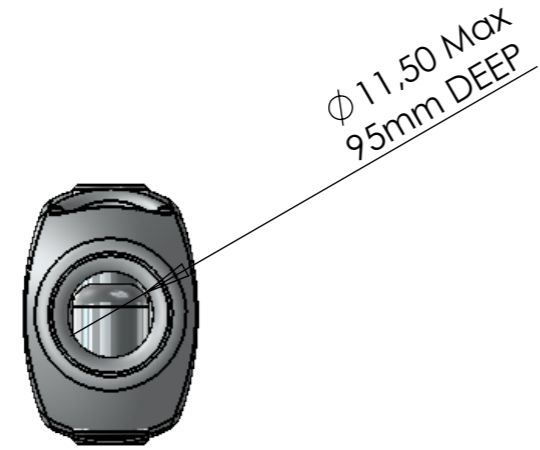


KRE1
FOR TOP DOWN FURLERS
9-11mm ANTI-TORSION ROPES
Max working load: 500Kg; Weight: 165g



| | | | | |
|--|--------------------------------|--|-----------|---------|
| DATE | MODIFICATIONS APORTEES | NOM | VISA | IND. |
| MATIERE ET ETAT | TOLERANCE GENERALE JS13js13 | EVOLUTION DU DOCUMENT | | |
| TRAITEMENT; CARACTERISTIQUES MECANIQUEES | ETAT DE SURFACE GENERAL Ra 3.2 | DESS. PAR Le : | MASSE | ECHELLE |
| FINITION | PROTECTION | FOLIO | | |
| ATTACHEMENT | MATERIEL | www.karver-systems.com | | |
| DESIGNATION | KRE1 | | | |
| PRSESENTATION | | CODE PIECE | FORMAT A3 | |
| CODE PRODUIT K | | | | |