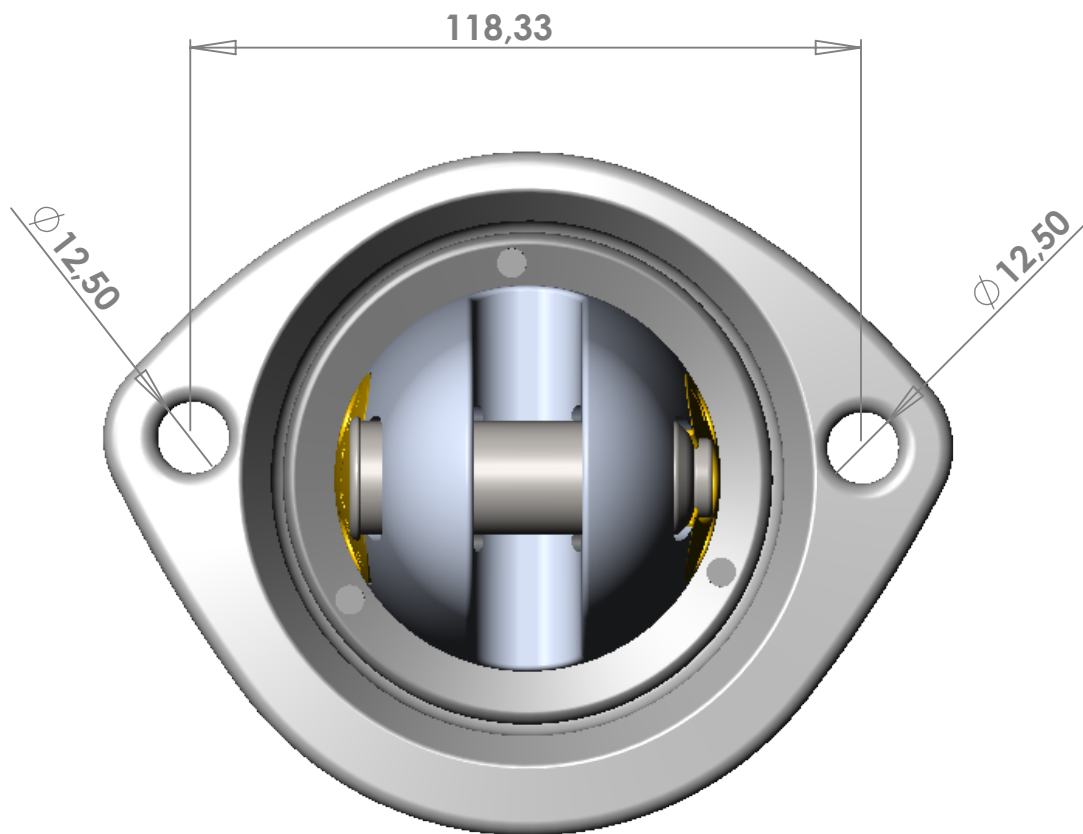




Weight : 1680g



				NOM		VISA		IND.	
				DRAWN BY M.C		WEIGHT		SCALE	
				PROTECTION		FOLIO		1/1	
ATTACHEMENT DRUM		ITEM KF8						FORMAT A3	
PART NUMBER PRESENTATION		Tack Swivel Reckman							