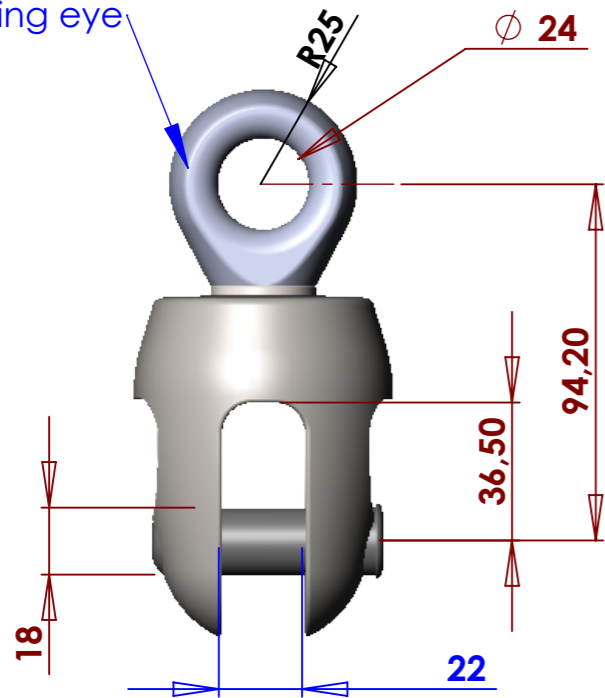
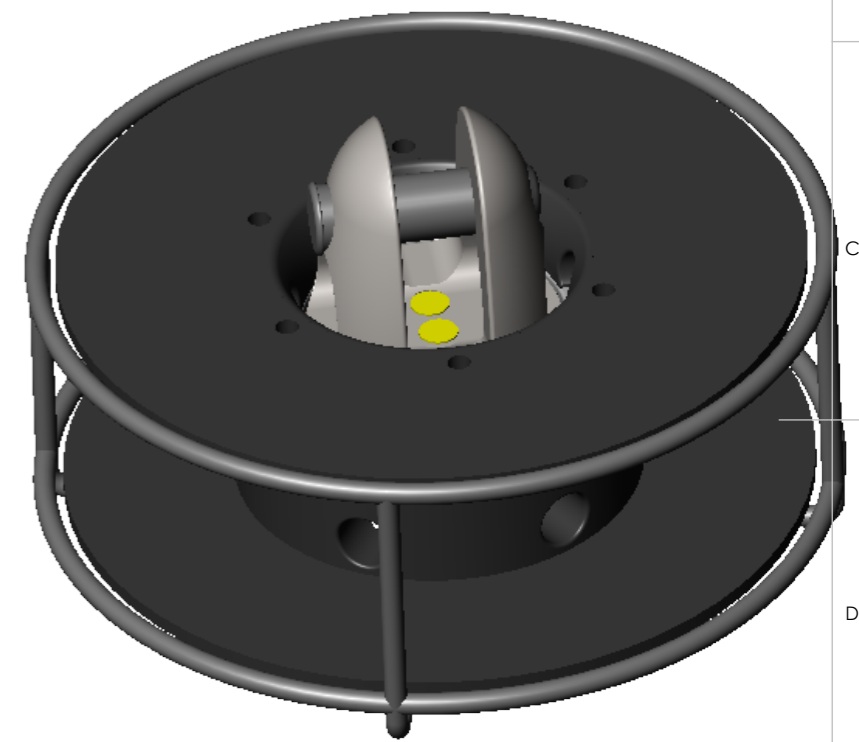
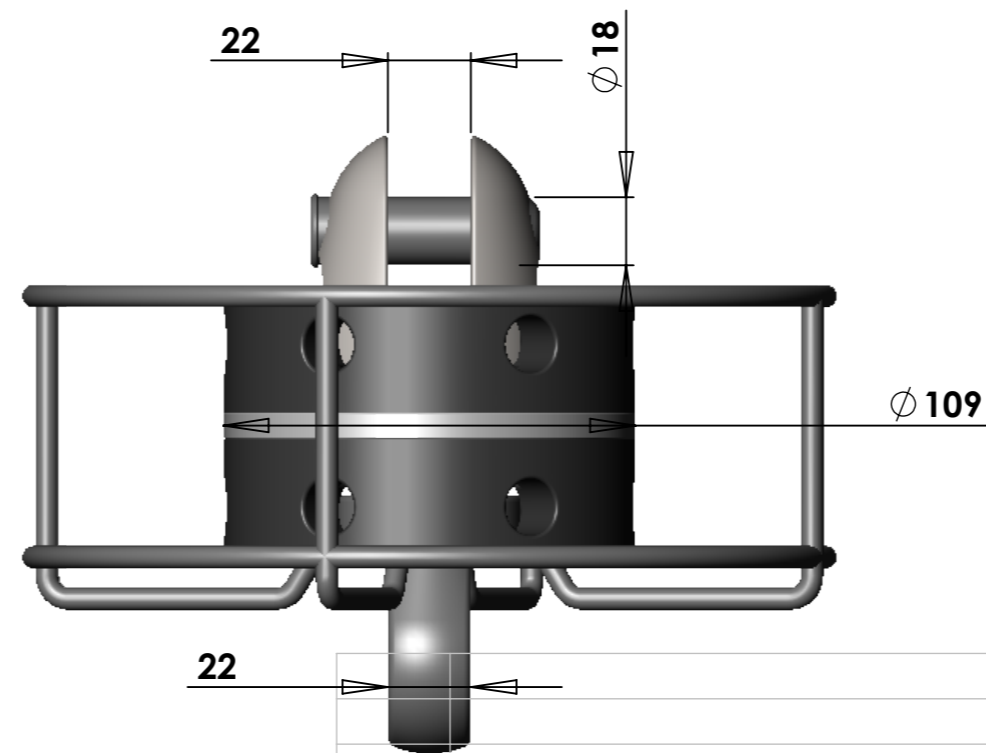
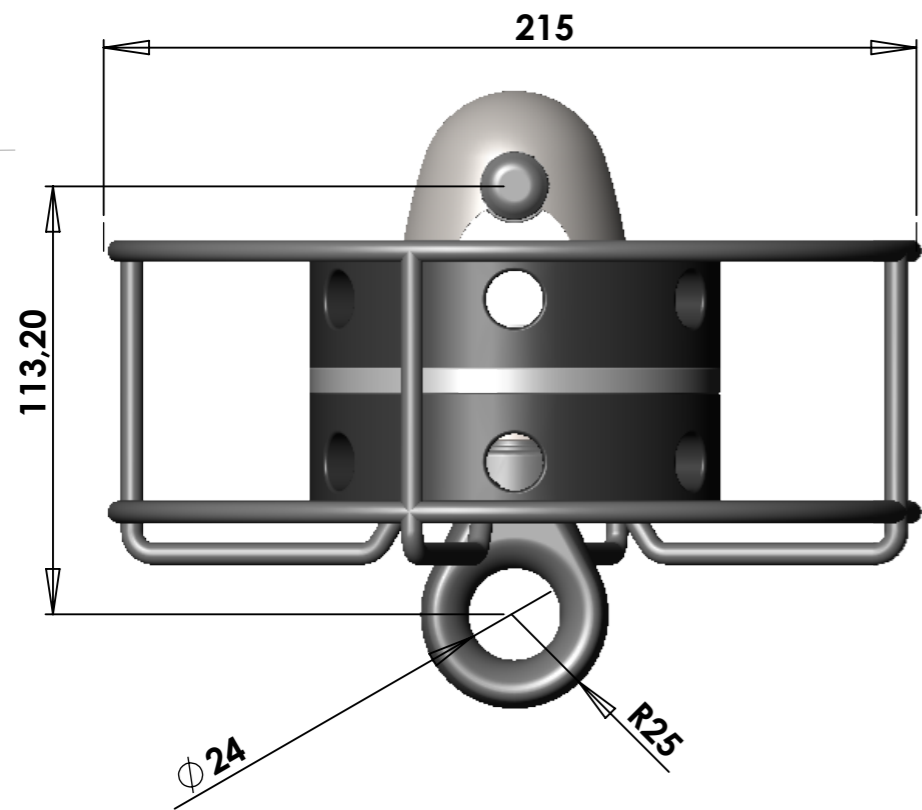


Lashing eye



Total Swivel weight: 917g  
(without lashing eye)



Drum weight: 2200g  
(with lashing eye)

**MAX WORKING LOAD: 10T BREAKING: 20T**

DATE	MODIFICATIONS APORTEES	NOM	VISA	IND.
MATIERE ET ETAT	TOLERANCE GENERALE	EVOLUTION DU DOCUMENT		
TRAITEMENT; CARACTERISTIQUES MECANQUES	ETAT DE SURFACE GENERAL	DESS. PAR Le: M.C	MASSE	ECHELLE 1/2
FINITION	PROTECTION	FOLIO		
ATTACHEMENT	MATERIEL			
DESIGNATION	<b>KFX10 DRUM</b> Stainless steel		<a href="http://www.karver-systems.com">www.karver-systems.com</a>	
<b>PRESENTATION</b>	CODE PRODUIT <b>K</b>	CODE ENSEMBLE ou SOUS ENSEMBLE <b>K</b>	CODE PIECE	FORMAT A3