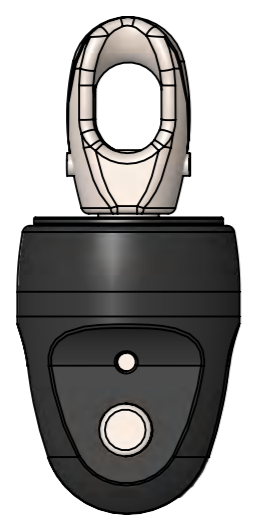
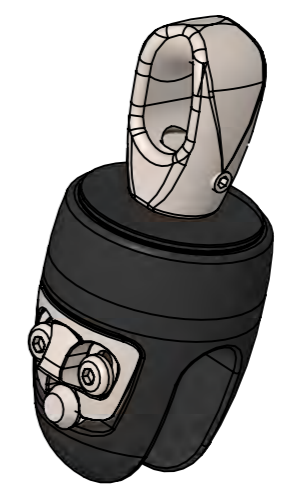
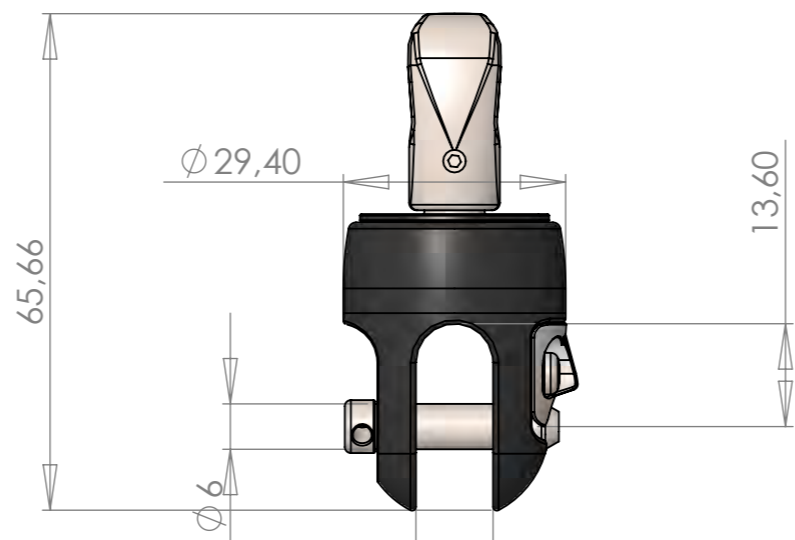


H G F E D C B A

4



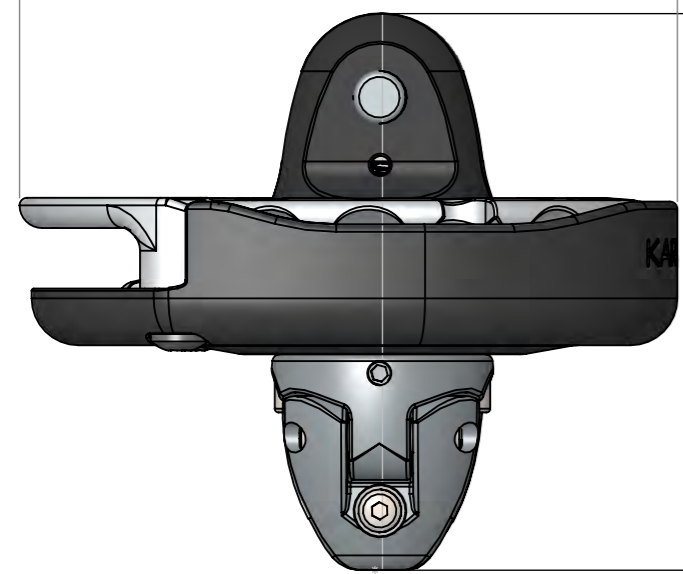
SWIVEL WEIGHT: 86g



3

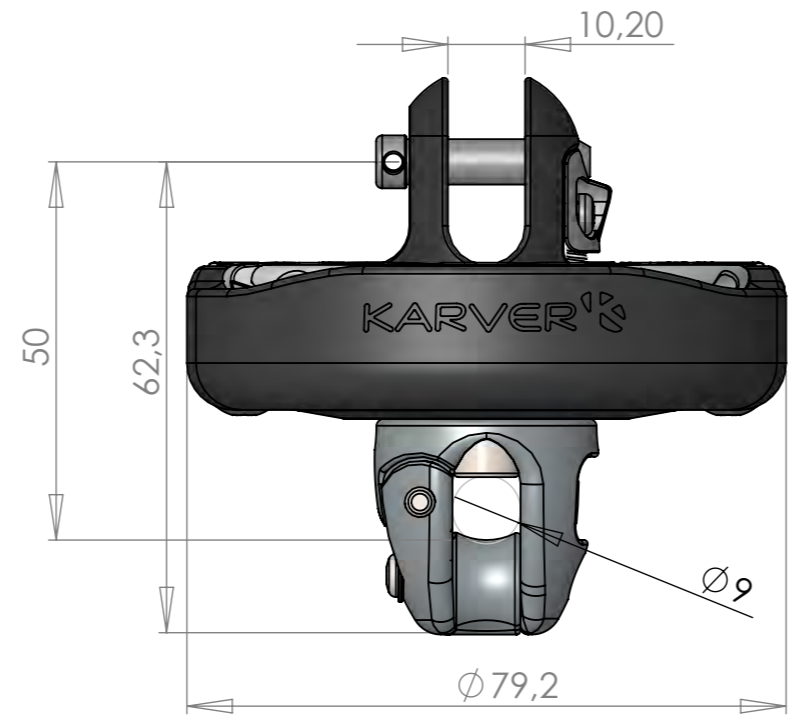


87



73,60

2

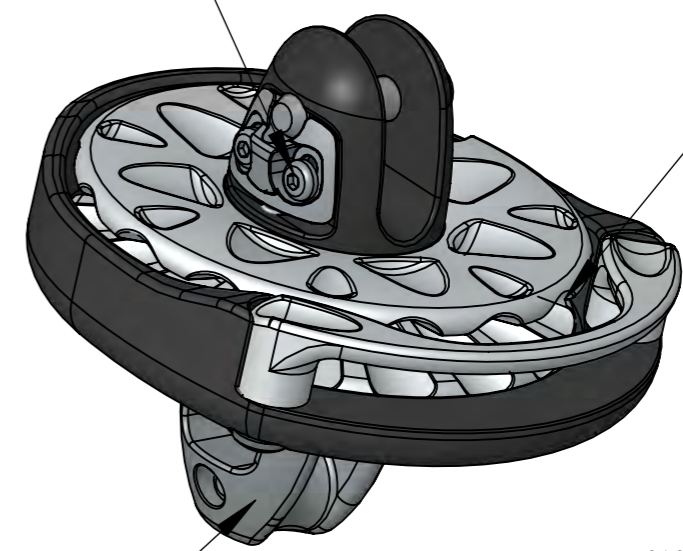


KARVER

Ø9

Ø79,2

Fast pin opening



Ø6mm furling line

Snap shackle

WEIGHT: 262g
(including snap shackle)

1

MAX WORKING LOAD: 900Kg
BREAKING LOAD: 1.8T

| | | | | |
|---|------|---|-----------------|---------------------|
| Désignation: KF0.9 | | Echelle | Format | Folio |
| Description: | | 1:1 | A3 | 1/1 |
| Maximum Working Load : 900kg Charge de travail | | Breaking Load : 1800kg Charge de Rupture | | |
| Material : Aluminium Anodisé noir Matière | | Masse : 350.36 (g) | | |
| Système: | Type | Famille | Code | Indice |
| KF0,9 | | | PF350000 | |
| Plus d'informations sur www.karver-systems.com - More information on www.karver-systems.com . | | | | All rights reserved |



H G F E D C B A