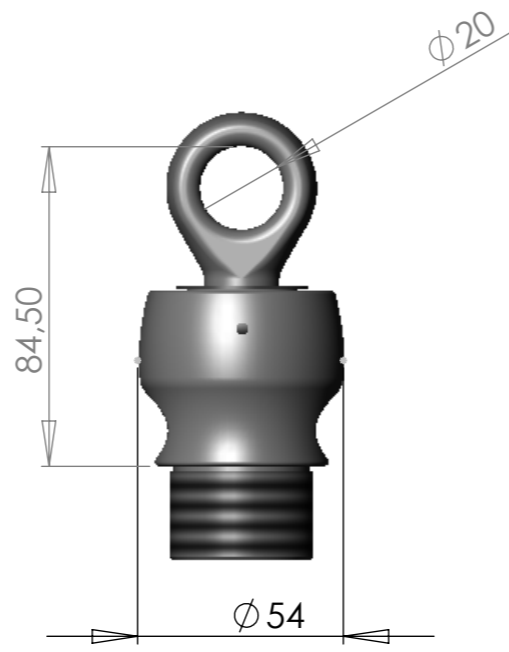


Lashing eye

Ø15

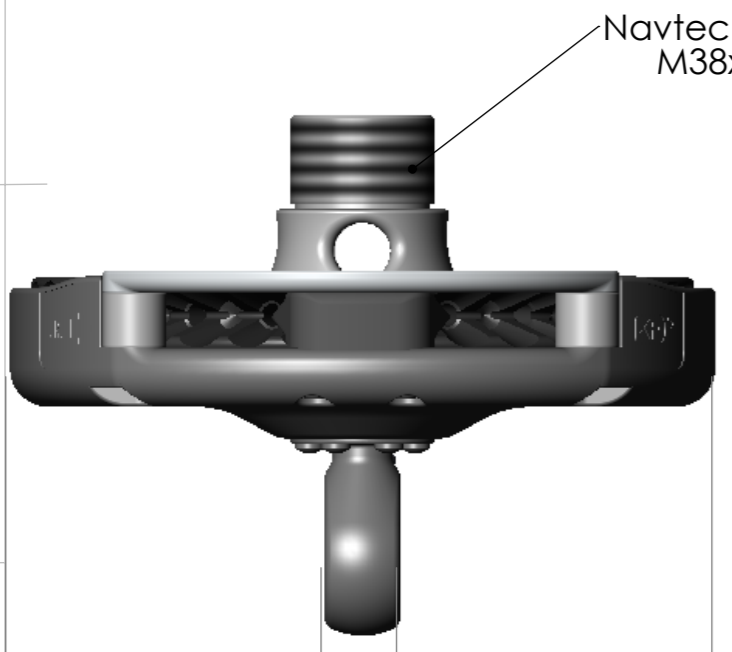
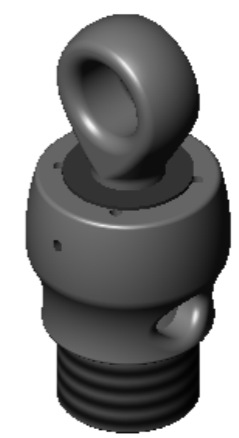
Navtec Ending  
M38x200



84,50

Ø54

Swivel Weight : 776g  
(with lashing eye)

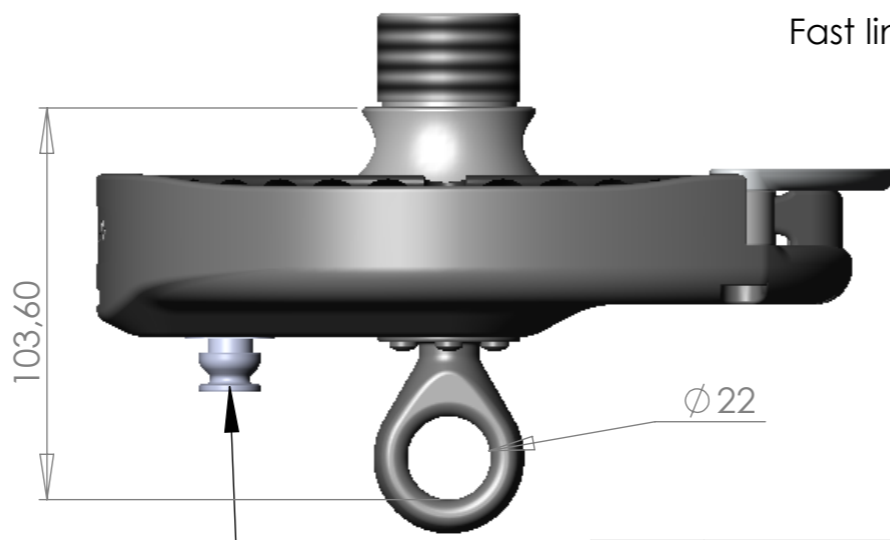


Navtec Ending  
M38x200

20

ratchet system removable

Ø187



Fast line engagement

103,60

Ø22



Drum Weight : 1790g  
(with lashing eye)

**MAX WORKING LOAD : 5T BREAKING : 10T**

DATE	MODIFICATIONS APORTEES	NOM	VISA	IND.
MATIERE ET ETAT		TOLERANCE GENERALE		EVOLUTION DU DOCUMENT
TRAITEMENT; CARACTERISTIQUES MECANIKUES		ETAT DE SURFACE GENERAL		DESS. PAR Le: M.C
FINITION		PROTECTION		MASSA
ATTACHEMENT		MATERIEL		ECHELLE
DESIGNATION		KF5 Structural		1/2
CODE PRODUIT		CODE PIECE		FORMAT
K				A3

