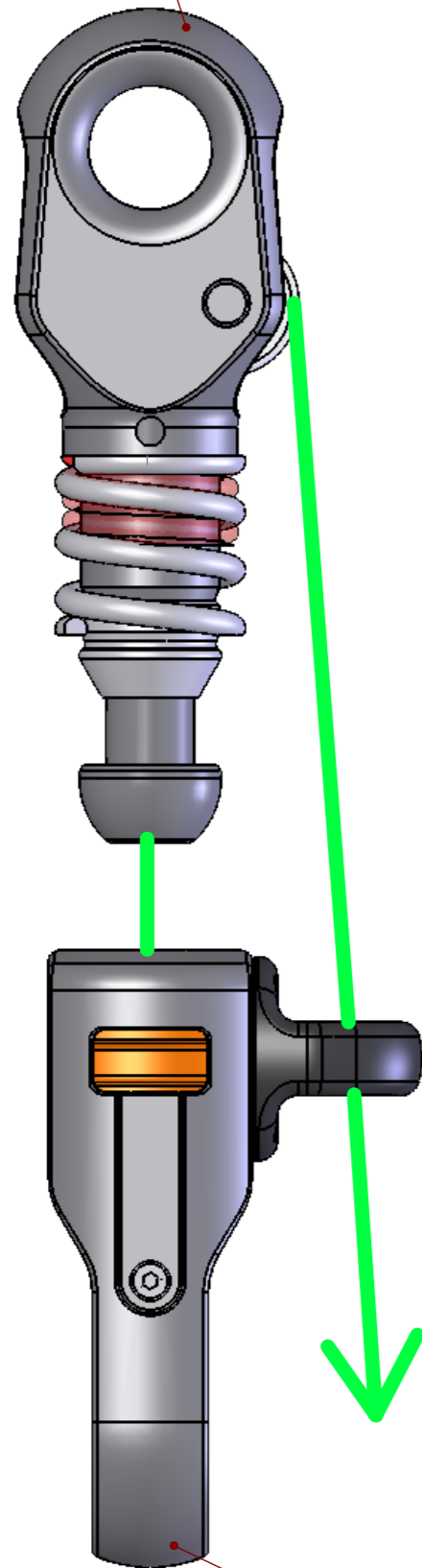
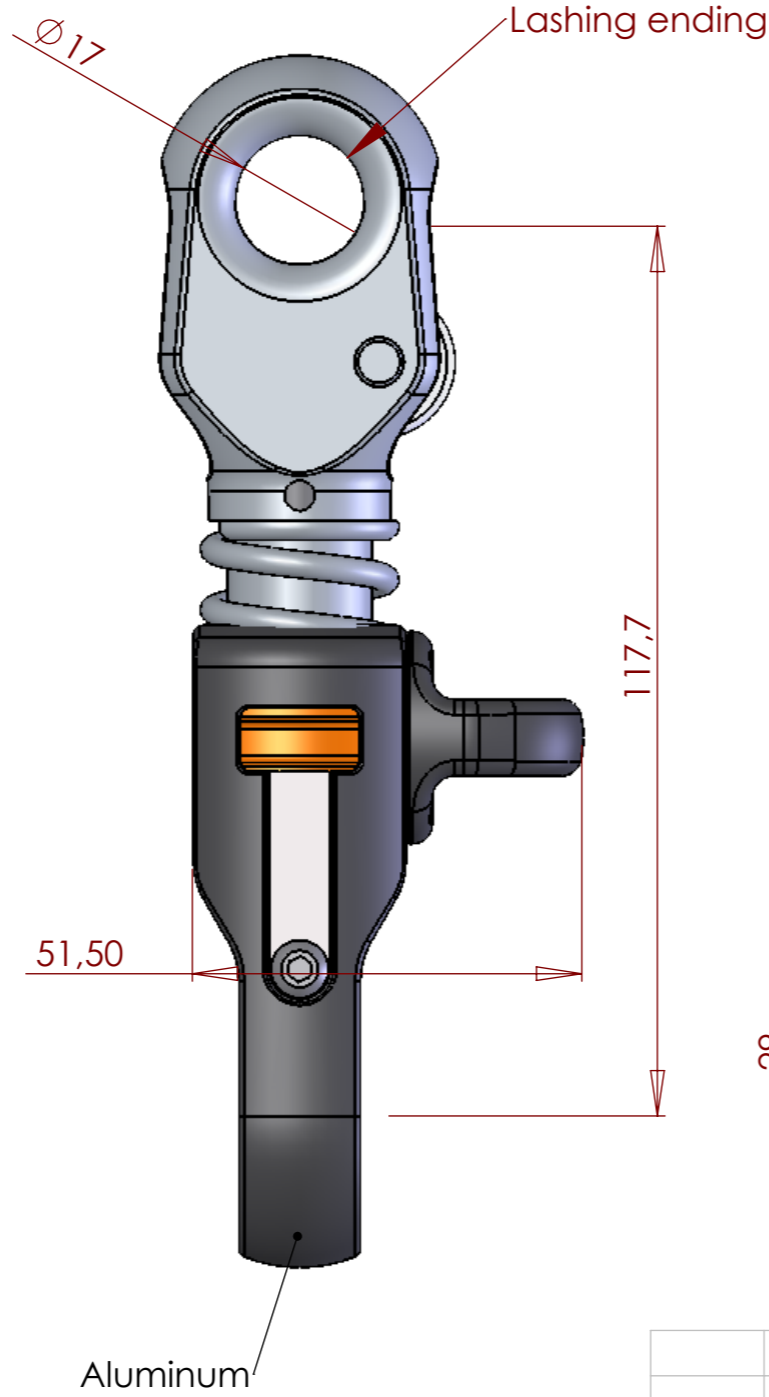


Fixed part: 285g



Lock part: 285g

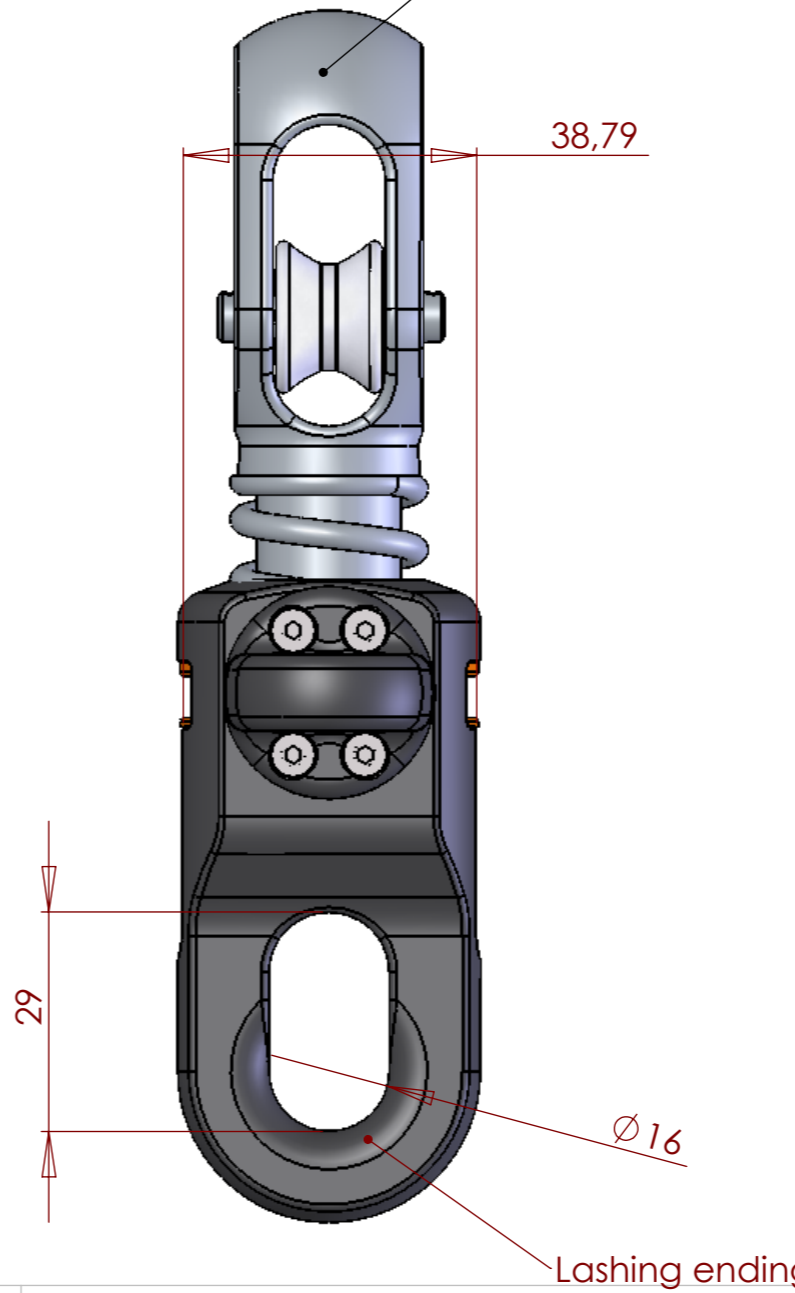
TOTAL WEIGHT: 435g
Max working load: 2T



Aluminum

Lashing ending

Stainless steel



Lashing ending

6mm max halyard

DATE	MODIFICATIONS APORTEES	NOM	VISA	IND.
MATIERE ET ETAT	TOLERANCE GENERALE	EVOLUTION DU DOCUMENT		
TRAITEMENT; CARACTERISTIQUES MECANQUES	ETAT DE SURFACE GENERAL	DESS. PAR Le: M.C	MASSE	ECHELLE
FINITION	PROTECTION	FOLIO		
ATTACHEMENT	MATERIEL			
DESIGNATION	KHL2 halyard lock		www.karver-systems.com	
CODE PRODUIT K	CODE PIECE			FORMAT A3