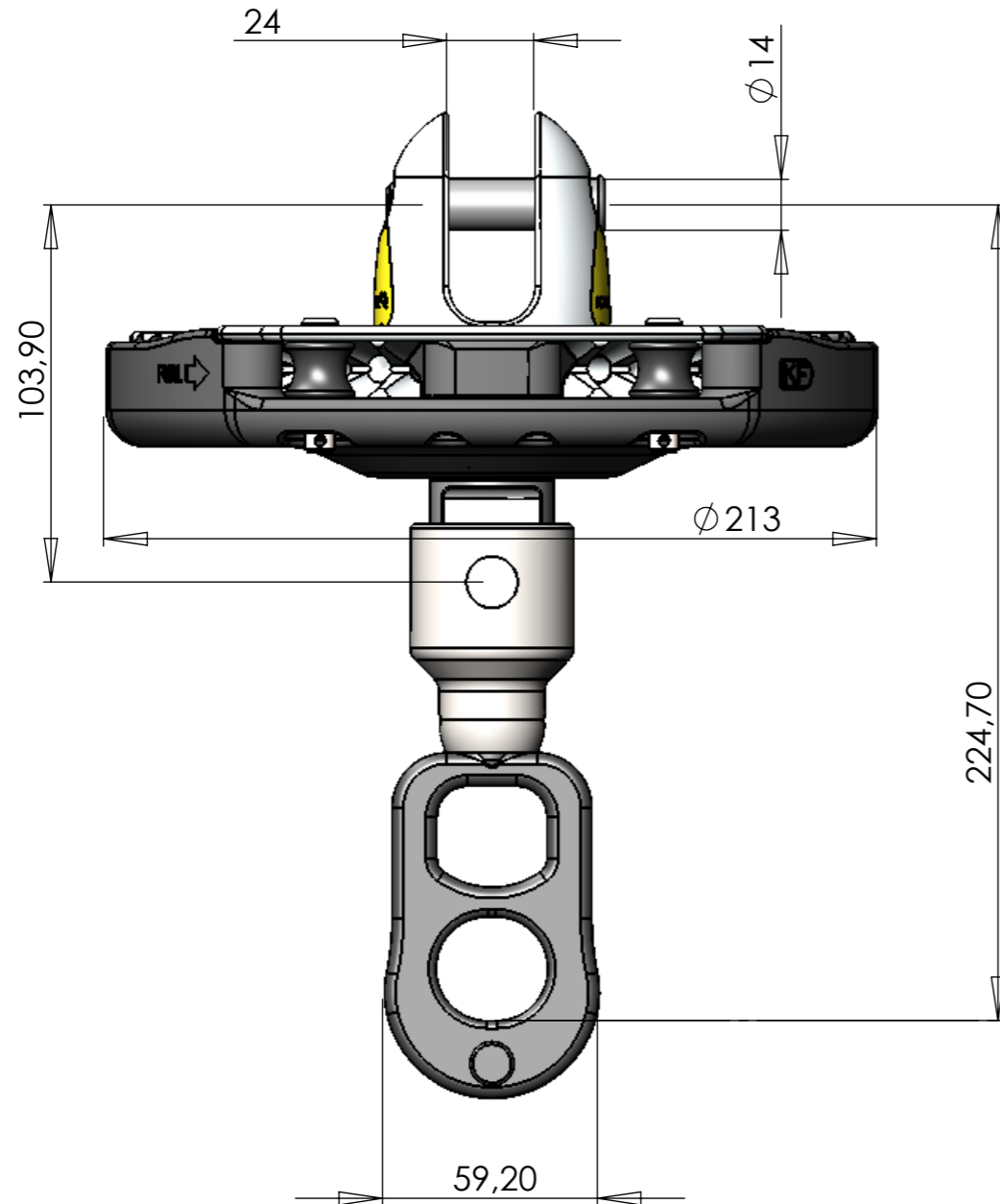
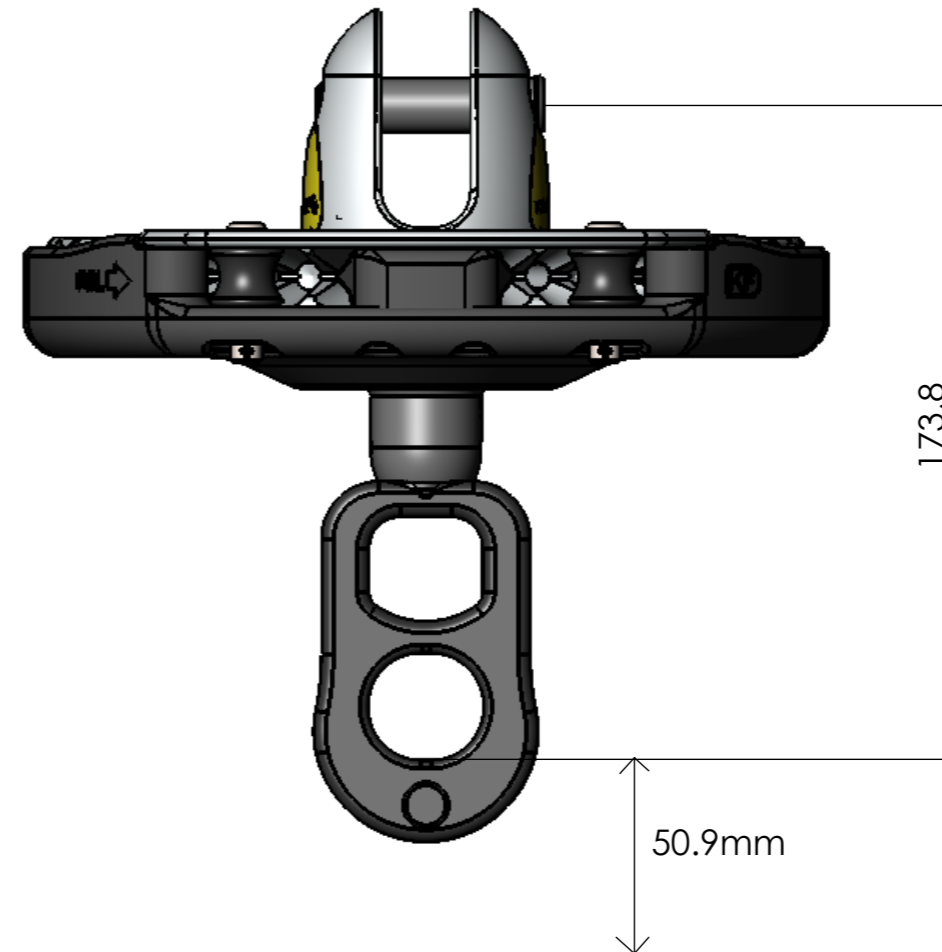


KF8 TYLASKA OPTION

KF8 + REMOVABLE TYLASKA (PF114525)



KF8 + FIXED TYLASKA (PF110040 [TY])



| | | | | |
|--|------------------------|---------------------------|------|------------------------|
| DATE | MODIFICATIONS APORTEES | NOM | VISA | IND. |
| MATERIE ET ETAT | | TOLERANCE GENERALE | | EVOLUTION DU DOCUMENT |
| TRAITEMENT; CARACTERISTIQUES MECANIKES | | ETAT DE SURFACE GENERAL | | DESS. PAR Le: M.C |
| FINITION | | PROTECTION | | MASSE |
| ATTACHEMENT | | MATERIEL | | ECHELLE 2/1 |
| DESIGNATION | | KF8 OPTION | | FOLIO |
| Tylaska adaptor | | KARVER sailing experience | | www.karver-systems.com |
| CODE PRODUIT | K | CODE PIECE | | FORMAT A3 |