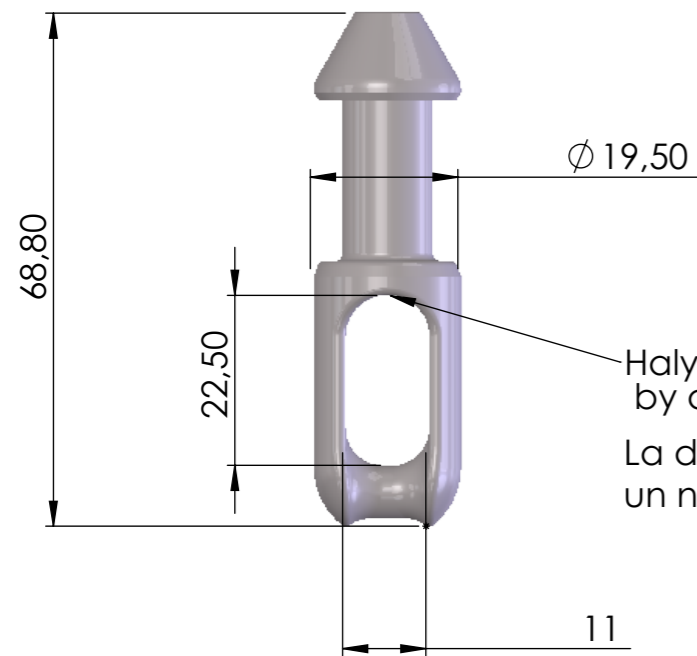
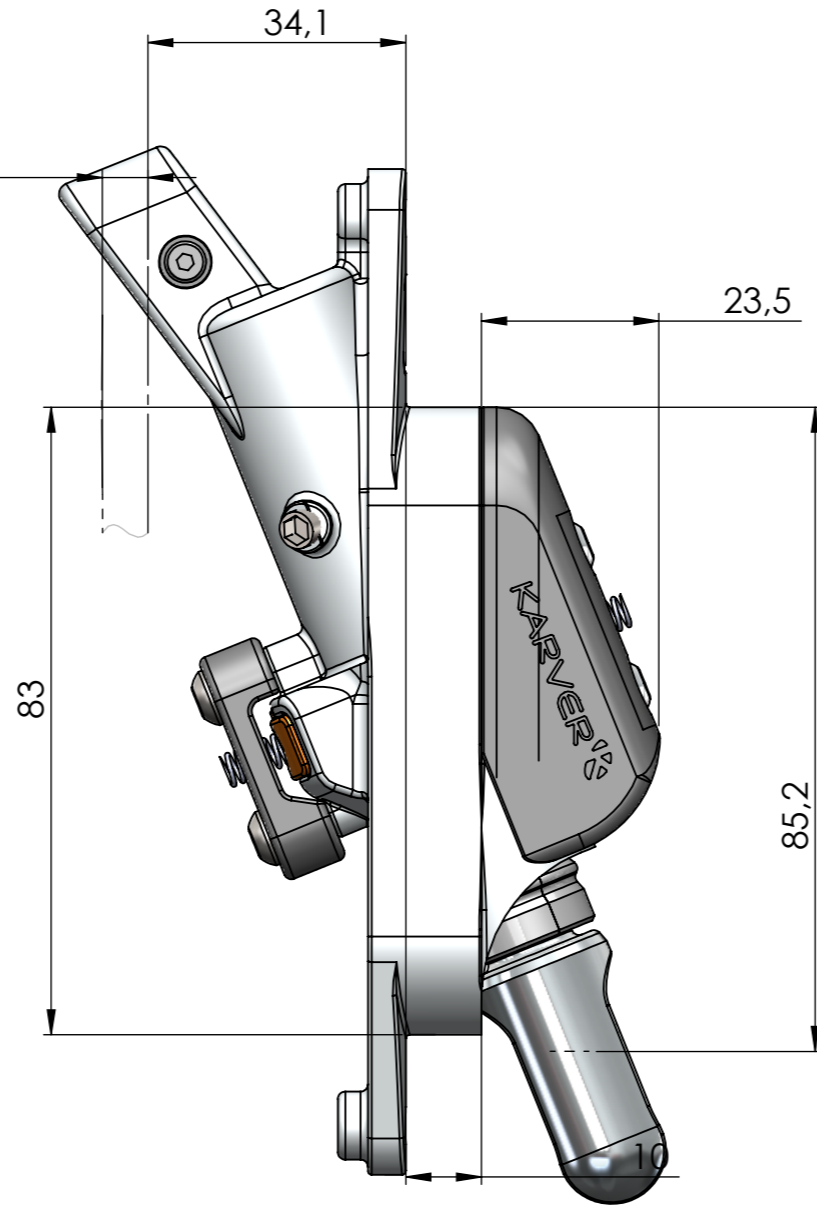



Max halyard 6mm



Halyard is fixed here
by a sewn knot
La drisse se termine par
un noeud cousu

DATE	VERSION	MATERIAL	WEIGHT	SCALE
31/05/2017			345g	1/1
MODEL		SAFE WORKING LOAD CHARGE DE TRAVAIL	2T	 www.karver-systems.com
KMH2		BREAKING LOAD CHARGE DE RUPTURE	4T	
PART NUMBER: PF370002			MORE INFOS ON WWW.KARVER-SYSTEMS.COM	
				FORMAT A4