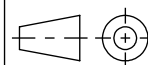


Désignation: **Guide de découpe KMH2**

Description: *Drill guide KMH2*



Echelle

1:1

Format

A4

Folio

1/1

Maximum Working Load : 2T

Breaking Load : 4T

Charge de travail

Charge de Rupture

Material :  
Matière

Masse : (g)

Système:

Type Famille Code Indice

**KMH2**

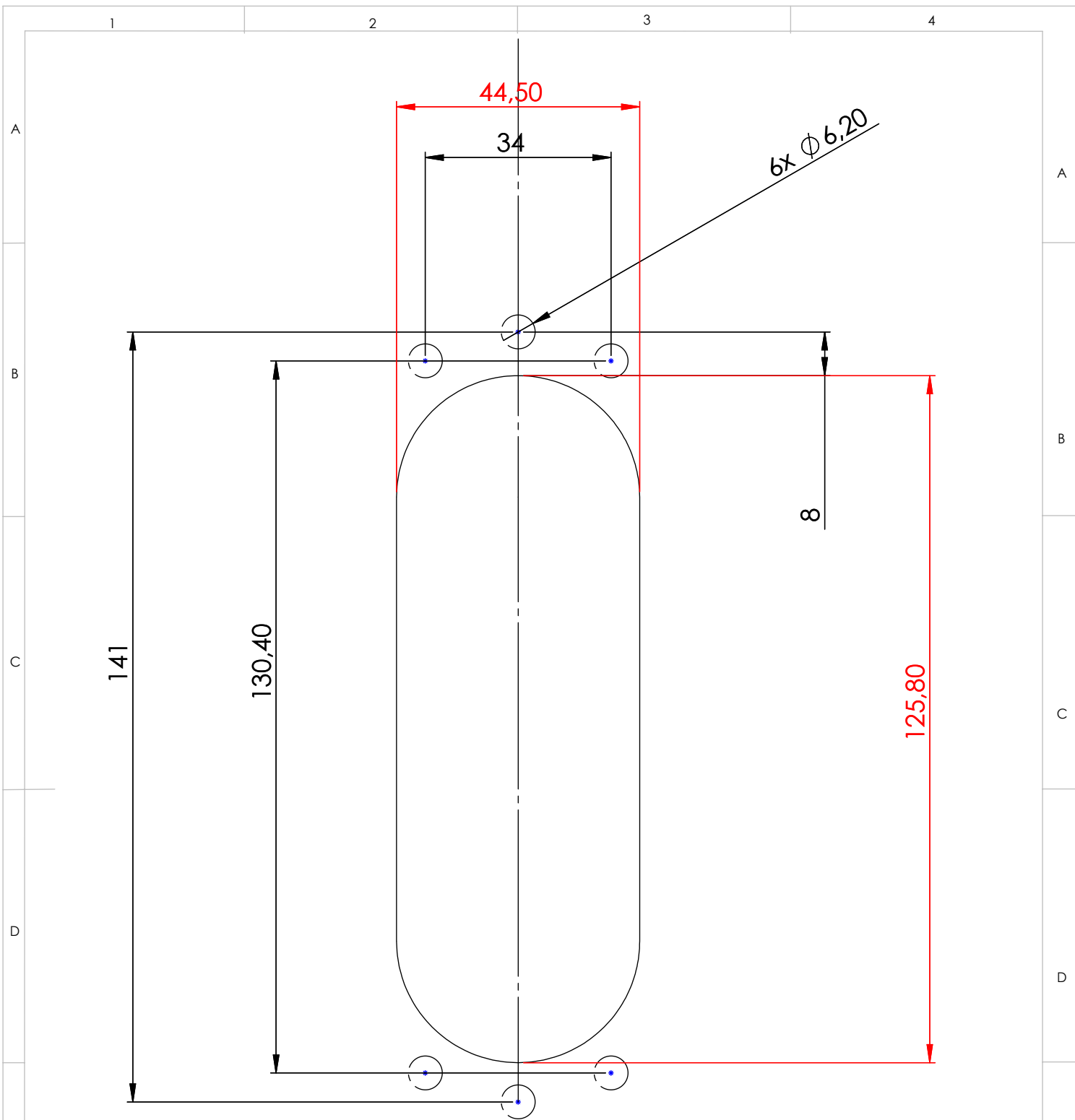
**PF 37 0002**

**KARVER**<sup>®</sup>  
sailing experience

Av. Marcel Liobastre 14600 HONFLEUR  
Tel : 02 31 88 37 98

Plus d'informations sur [www.karver-systems.com](http://www.karver-systems.com) - More information on [www.karver-systems.com](http://www.karver-systems.com)

All rights reserved



141

130,40


44,50

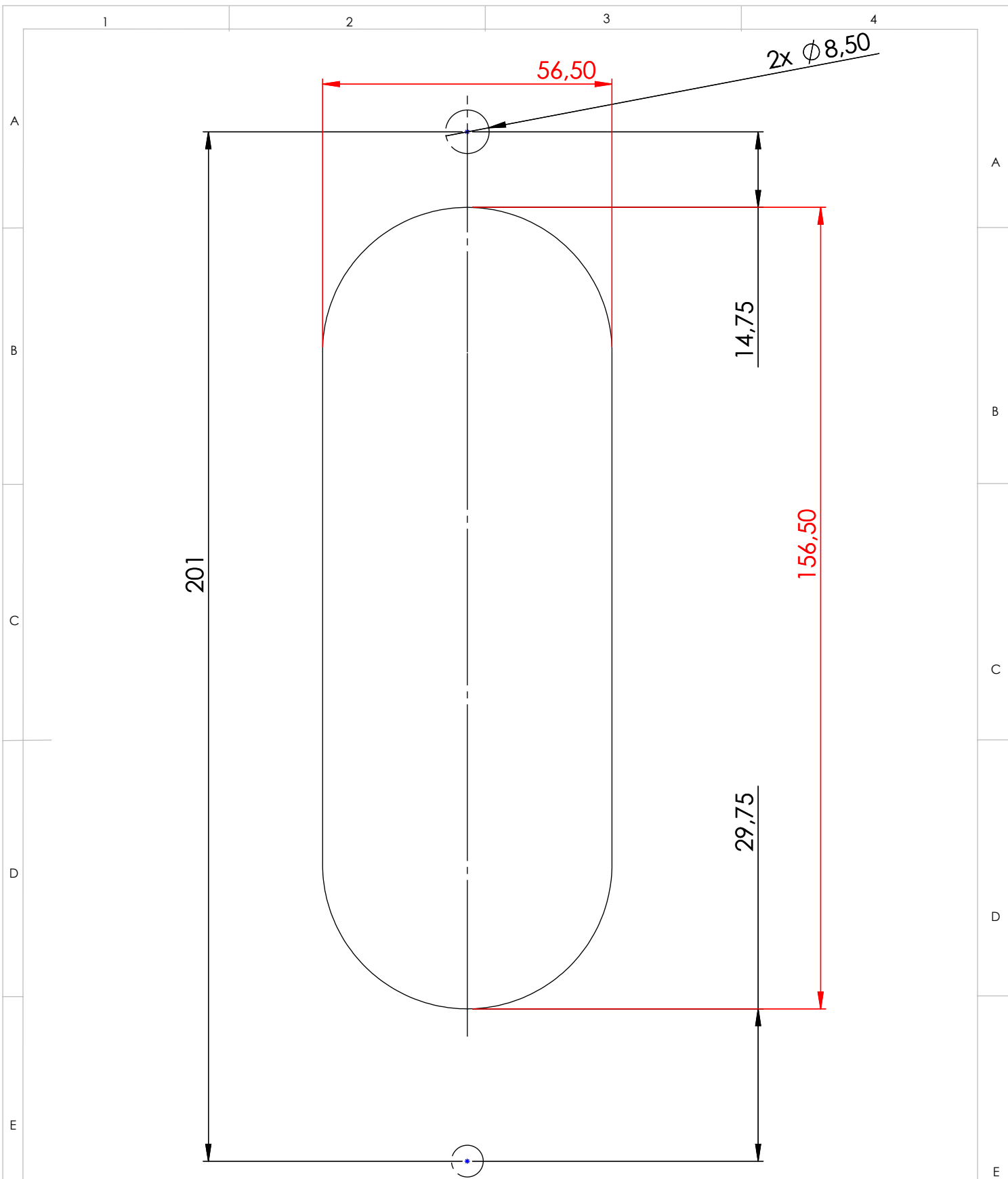
34


6x Ø 6,20

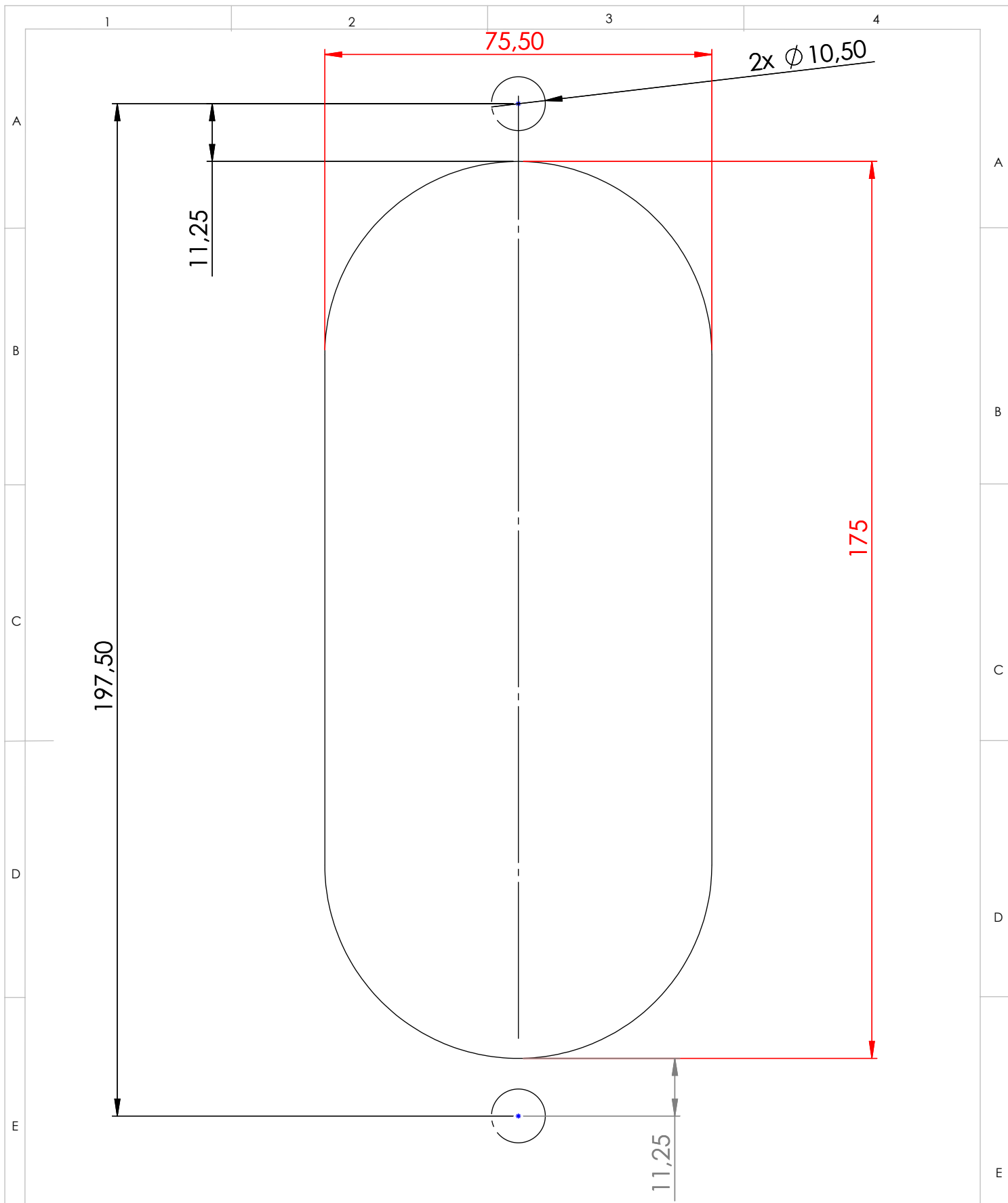
8


125,80

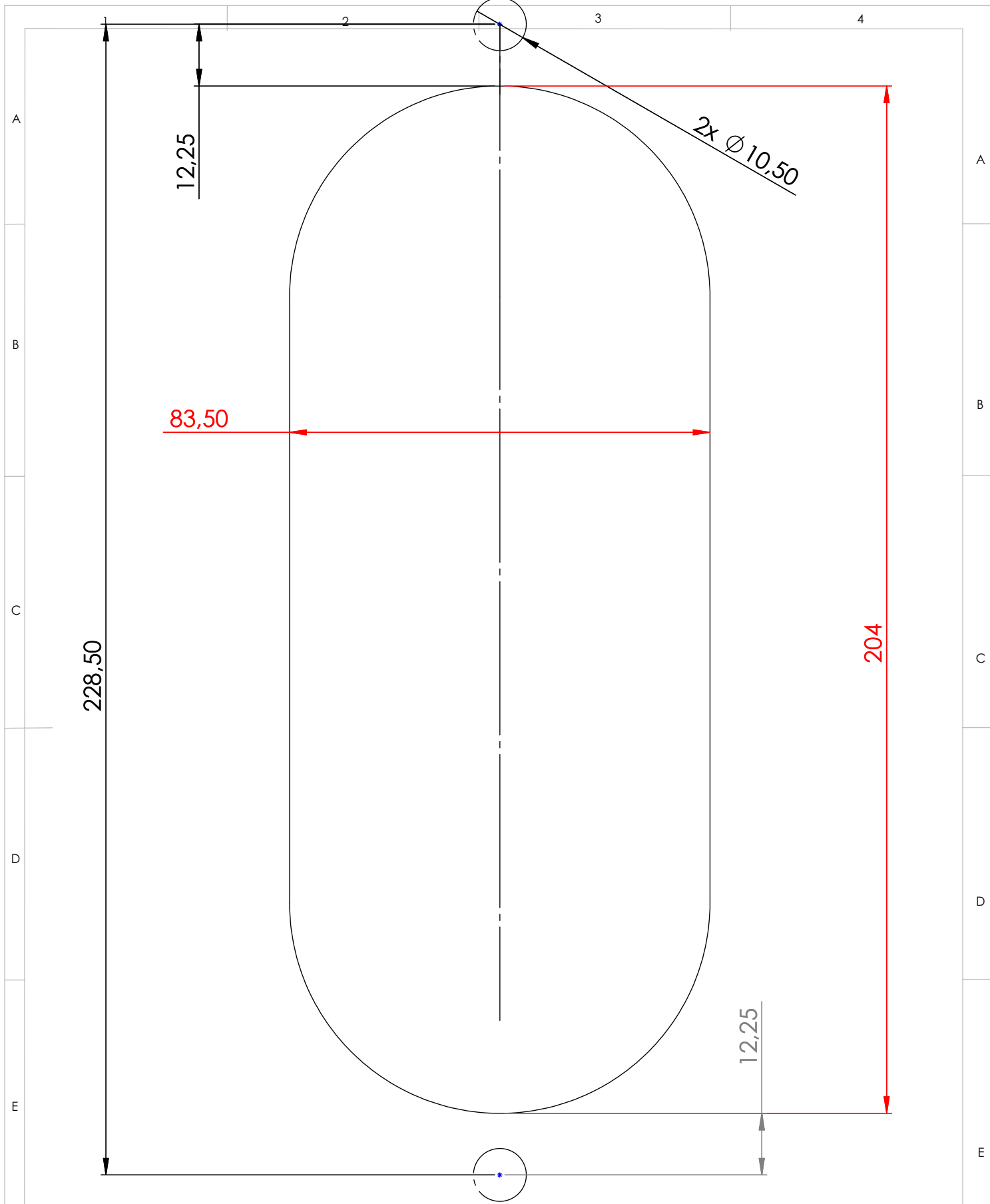
DATE	VERSION	MATERIAL	WEIGHT	SCALE
MODEL		SAFE WORKING LOAD	 www.karver-systems.com	FORMAT <b>A4</b>
KM5 Drill Guide		BREAKING LOAD		
PART NUMBER:		MORE INFOS ON <a href="http://WWW.KARVER-SYSTEMS.COM">WWW.KARVER-SYSTEMS.COM</a>		




DATE	VERSION	MATERIAL	WEIGHT	SCALE
				1/1
MODEL KMH8 [30mm] Drill guide		SAFE WORKING LOAD <i>CHARGE DE TRAVAIL</i>	 www.karver-systems.com	
		BREAKING LOAD <i>CHARGE DE RUPTURE</i>		
PART NUMBER:			MORE INFOS ON <a href="http://WWW.KARVER-SYSTEMS.COM">WWW.KARVER-SYSTEMS.COM</a>	FORMAT A4



DATE	VERSION	MATERIAL	WEIGHT	SCALE
				1/1
MODEL KMH10 [25mm] Drill guide		SAFE WORKING LOAD <i>CHARGE DE TRAVAIL</i>	 www.karver-systems.com	
		BREAKING LOAD <i>CHARGE DE RUPTURE</i>		
PART NUMBER:			MORE INFOS ON <a href="http://WWW.KARVER-SYSTEMS.COM">WWW.KARVER-SYSTEMS.COM</a>	FORMAT A4



DATE	VERSION	MATERIAL	WEIGHT	SCALE 1/1
MODEL KMH15 [30mm] Drill guide		SAFE WORKING LOAD <i>CHARGE DE TRAVAIL</i>	 www.karver-systems.com	FORMAT A4
		BREAKING LOAD <i>CHARGE DE RUPTURE</i>		
PART NUMBER:			MORE INFOS ON <a href="http://WWW.KARVER-SYSTEMS.COM">WWW.KARVER-SYSTEMS.COM</a>	