

REEFING FURLERS

by **KARVER** 

NEW

 **KARVER**[®]
sailing experience



KRS

THE REEFING
FURLER BY
KARVER

+ PRESENTATION



+ PRODUCT

Simple and Robust Design for Performance.

Our products are known to be the most reliable on the market. We have hundreds of thousands of ocean miles tested on our deck equipment.

We took time to design a new generation of reefing furlers combining a multitude of advantages without forgetting our DNA: a simple, robust design and efficient product.

A full-option reefing furler accessible to all.

+ Performance

- Reduced mechanical dimensions: shortest drum and swivel on the market
- Low drum and swivel friction, maintenance free sealed bearings
- Attach tack and halyard points with textile ties or shackles
- Reduced weight
- Standard reinforced mechanism
- Tube profile reinforced with high strength aluminum
- Materials insulated against corrosion

+ Built-in options

- Standard elliptical and double groove profile
- Standard removable single line drum
- Standard removable stainless steel luff guide

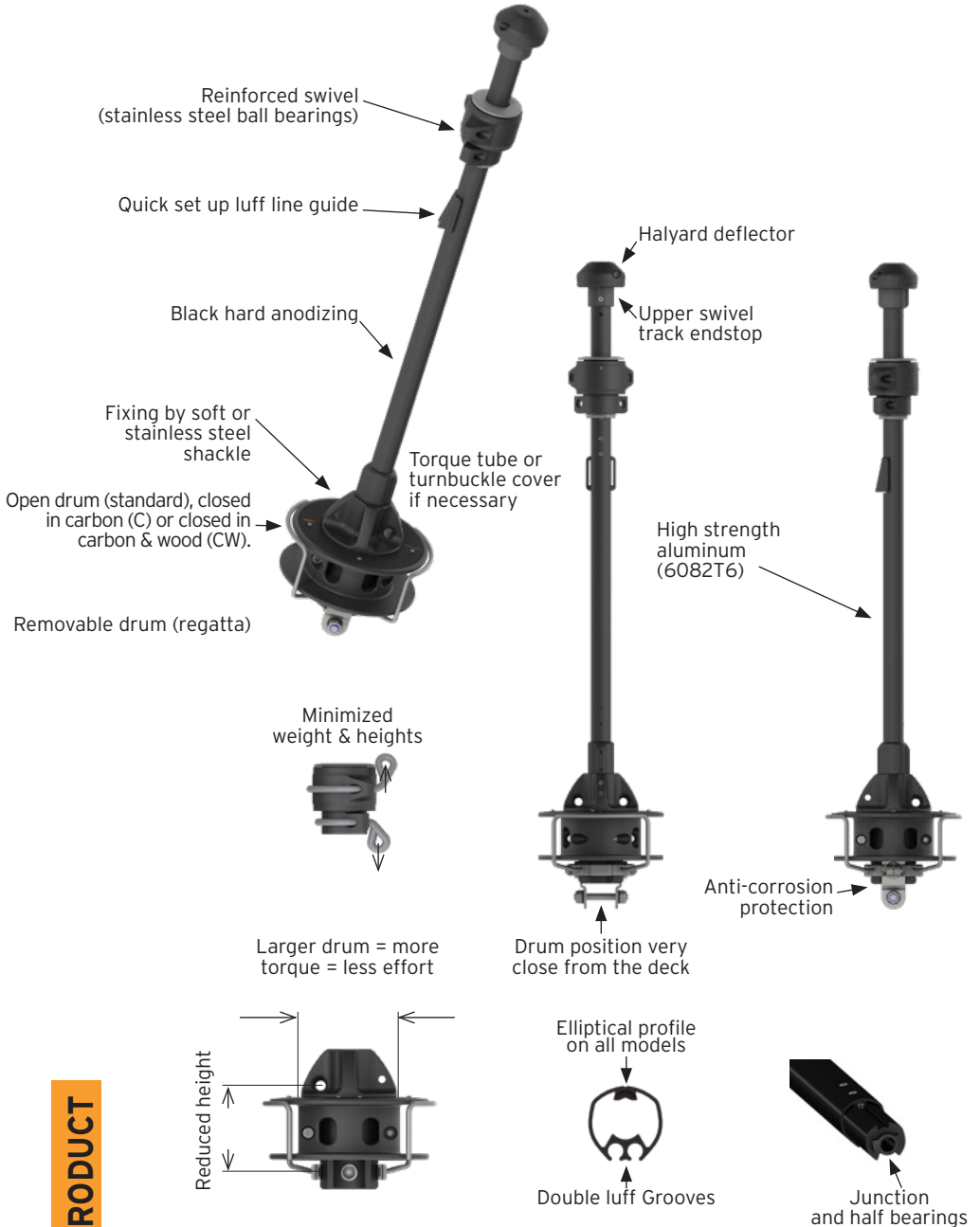
+ Eco Concept

- Robust design ensures durability
- Compact = less raw material consumption
- Use of bio-sourced plastic, from a linen fiber-based product

**ONE
STEP
AHEAD**



THE KARVER REEFING FURLER IN DETAIL:



+ PRODUCT



KRS

THE REEFING
FURLER BY
KARVER

Standard drum with optional top wood veneer

Standard...



Drum customization



Standard version
+ wooden veneer on top (W)



Carbon closed drum version (C)



Carbon closed drum
+ wooden veneer (CW)

A simple range, just as efficient for cruising and racing, 6 models for sailboats from 7 to 26 m.

We want to get rid of the distinctions between "racing" and "cruising" reefing furlers.

The expectations in terms of reliability or performance are the same. Whatever your program, Karver reefing furlers are allies of choice.

Unlike what is on the market, all these options are included in our furlers:

- Double groove extrusion profile
- Elliptical profile
- Removable drum
- Removable stainless steel luff guide
- Black hard anodizing
- Reinforced mechanism

Stand out!

To better fit on your deck plan, we offer coverings on the top of the drum, as standard in carbon fiber, it can also be finished in linen fiber or natural wood veneer.

For the most demanding users, the Carbon drum option can replace the stainless steel wire guide, this model can also be veneered with real wood.

We can also personalize the skin with the name or logo of your sailboat.

+ PRODUCT

A model for each unit

MODEL	KRS20	KRS25	KRS30	KRS40	KRS45	KRS50
Part number	PF333 200	PF333 250	PF333 300	PF333 400	PF333 450	PF333 500
Sailboat length (m)	7 à 9	9 à 10,5	10,5 à 13	13 à 16	16 à 20	20 à 26
Sail area in m²	30	45	55	100	150	220
Max forestay diameter without removable end fitting (mm)	6	8	8	10	14	14
Forestay diameters max. with removable end fitting (mm)	7,5	10	10	13	20	20
Available lower pin diameter (mm)*	10,12,14	12,14,16	12,14,16,19	16,19,22,25	19,22,25,28	25,28,32,35
Joiner bearing max space (mm)**	7,5	8,5 ou 10,5	8,5 ou 10,5	11 ou 13,5	16,5 ou 20,5	16,5 ou 20,5
Width between plates	41	41	41	41	61	61
Drum diameter (mm)	180	180	220	260	320	320
Foil model	KP29	KP33		KP40	KP54	KP54R
Foil external diameter (mm)	29	33		40	53	53
Foil weight (Kg/m)	0,578	0,708		0,965	1,32	1,59
Delivered foil length (m)*	10,5	12,5	14,5	16,5	18,8	20,8
Luff line diameter (mm)	5	5	5	5	6	6
Elliptical double groove foil	Yes	Yes	Yes	Yes	Yes	Yes
Removable drum	Yes	Yes	Yes	Yes	Yes	Yes
Luff line guide	Yes	Yes	Yes	Yes	Yes	Yes
Long and intermediate plates	Optional	Optional	Optional	Optional	Optional	Optional
Turnbuckle cover	Optional	Optional	Optional	Optional	Optional	Optional
Closed carbon drum version	Optional	Optional	Optional	Optional	Optional	Optional

* including short lower extrusion

**Bold and color = delivered as standard. Change at no extra cost on request.

Selection guide

Three parameters to define your choice.

Forestay diameter, boat length and sail area.

Length (m)	6	7	8	9	10	11	12	13	14	15	16	17	18	19	20	21	22	23	24	25		
Length (feet)	20	23	26	30	33	36	40	43	46	50	53	56	59	63	66	69	73	76	79	83		
	Best forestay	Forestay max																				
KRS20	7	6/7,5																				
KRS25	8	8/10																				
KRS30	10	8/10																				
KRS40	12	10/13																				
KRS45	14	14/20																				
KRS50	16	14/20																				
Genoa area (m²)			15	20	25	30	40	50	55	60	75	90	100	115	130	140	150	160	170	180	200	210
Genoa area (ft²)			160	215	270	320	430	540	590	645	810	970	1080	1240	1400	1500	1600	1700	1830	1940	2150	2260

SELECT THE RIGHT MODEL AND THE RIGHT OPTIONS IN 6 STEPS

- 1** Determine the correct KRS model by taking into account:
 - Forestay diameter, and the fittings size, fixed or removable eye, threaded swaged stud or not.
 - Triple entries selection guide shown on previous page.
 - Contact us if you have any questions, see contact details on the last page of this brochure.
- 2** Add or delete profile lengths of 2 meters depending of your forestay length. Each kit includes between 5 and 10 profiles but you can request an adjustment.
- 3** If your forestay is fitted with a turnbuckle, it's a safe bet that you need the turnbuckle cover option (TB assembly page 11). Only exception: if your turnbuckle is installed under the drum and with long link plates (XL assembly page 11).
- 4** If you need to raise the reefing furler drum, most often due to anchor passage or chainplate, replace the standard short plates with longer plates (M, XL or on plans). Table on page P 13.
- 5** Check the compatibility of the standard pin present on the deck plate or your deck chain plate. Ask for the diameter change if necessary. Table P 13.
- 6** You can request customization of the drum: wood veneer, linen fiber veneer or add custom name or logo.

ATTENTION: SAIL MAKERS AND RIGGERS

Sails

If you replace your furler without changing the sail, check that the groove is compatible (5 mm in most models)

If you change your sail or if your sailboat is new, do not forget to inform your sailmaker that you will be using a Karver KRS reefing furler. He will be able to download (documentation tab of the product pages) all the useful measurements to make your sail.

Riggers / Installers

We support all riggers and wherever they are in the world for their first assembly of Karver KRS reefing furlers. They can contact us by email or telephone (contact details on the back).

Nothing prevents you from replacing your reefing furler yourself, but the intervention of a professional is strongly recommended. If your installer is not equipped to manufacture a new forestay, contact us. We will provide it.

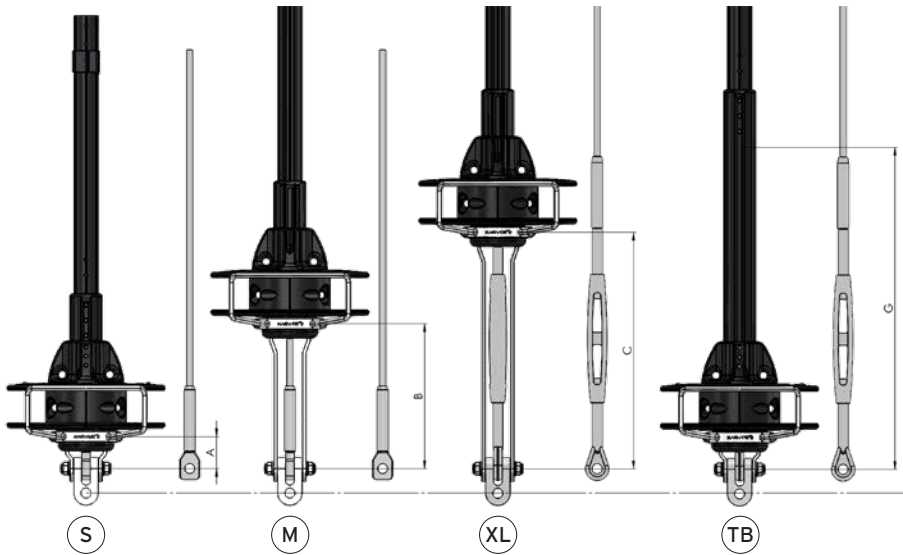
**ONE
STEP
AHEAD**



Fixing systems

The standard model comes with short holed plates shown below in figure (S).

Intermediate (M) or long (XL) plates or a turnbuckle (TB) are available as an option.



The forestay and the toggles are not delivered in our standard packs.



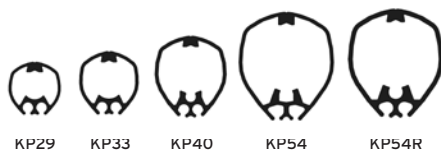
OPTIONS & ACCESSOIRES

Additional profiles

The kit includes one 2 meters profil equipped with its reinforced junction.



MODEL	PART NUMBER	COMPATIBILITY	LENGTH
KP29	PF334 295	KRS20	2 m
KP33	PF334 335	KRS25,KRS30	2 m
KP40	PF334 405	KRS40	2 m
KP54	PF334 545	KRS45	2 m
KP54R	PF334 545 [R]	KRS50	2 m



Turnbuckle covers

If your forestay is fitted with a turnbuckle, it's a safe bet that you need the turnbuckle cover option (TB assembly page 11). Only exception: if your turnbuckle is installed under the drum and with long link plates (XL assembly page 11).

MODEL	TURNBUCKLE COVER (DELIVERED)	
	PART NUMBER	LENGTH (MM)
KRS20	PF334 203	350
KRS25	PF334 253	411
KRS30	PF334 303	420
KRS40	PF334 403	480
KRS45	PF334 503	622
KRS50	PF334 503	622



3 drum options

For the best integration on your deck plan, we offer several drum versions. The standard version is an open drum with a carbon plate on top but there are other configurations.



DRUMS	KRS20	KRS25	KRS30	KRS40	KRS45	KRS50
Open drum + carbon plate on top	Standard	Standard	Standard	Standard	Standard	Standard
Open drum + wood veneer plate on top	PF335 200 [W]	PF335 250 [W]	PF335 300 [W]	PF335 400 [W]	PF335 450 [W]	PF335 500 [W]
Closed drum 100% carbon	PF335 250[C]		PF335 3000[C]	PF335 4000[C]	PF335 500 [C]	
Closed carbon drum + wood veneer	PF335 3000[C]	PF335 250 [CW]	PF335 300 [CW]	PF335 400 [CW]	PF335 450 [CW]	PF335 500 [CW]
Adding a name or logo	PF335 4000[C]	PF335 999	PF335 999	PF335 999	PF335 999	PF335 999

Link plates

The link plate allows adjusting the height of the drum in relation to the chainplate. The link plates supplied are short. You can ask for longer ones (passage of the anchor shank, chain plate at the bottom of the anchor locker,...

MODEL	THREAD	LENGTH (PIN-PIN) MM			PART NUMBER		
		S (STANDARD)	M	XL	S (STANDARD)	M	XL
KRS20	M10	38,8	166	266	PF334 250 [S]	PF334 250 [M]	PF334 250 [XL]
KRS25	M10	38,8	166	266			
KRS30	M12	52,3	237	387			
KRS40	M12	53	240	390	PF334 400 [S]	PF334 400 [M]	PF334 400 [XL]
KRS45	M16	61,34	270	550			
KRS50	M16	61,34	270	550	PF334 500 [S]	PF334 500 [M]	PF334 500 [XL]



(S)



(M)



(XL)

Lower pins

We offer several pin diameters to make the perfect link between the link plates and the bottom eye of your forestay. Consult us if your pin is not in this list.

MODEL	DELIVERED STANDARD PIN MM	STANDARD PIN PART NUMBER	THREAD	SPACING MM	OTHER AVAILABLE PINS
KRS20	10	PF334 200 [10]	M10	41	12-14-16
KRS25	12	PF334 200 [12]	M10	41	10-14-16
KRS30	14	PF334 300 [14]	M12	41	12-16-19-22-25
KRS40	19	PF334 300 [19]	M12	41	12-14-16-22-25
KRS45	22	PF334 500 [22]	M16	61	19-25-28-32-35
KRS50	28	PF334 500 [28]	M16	61	19-22-25-28-32-35



Part number for non-standard pins: replace the additional code with the wished diameter.

> 12 mm pin for KRS20 = PF334 200 [12]

Furling line fairleads

Three Karver solutions to guide the furling line from the cockpit to your reefing furler.



Stanchion fairlead part number PF400 0010



KR low friction ring



KRO low friction open rings

Dimensions and options DRUMS

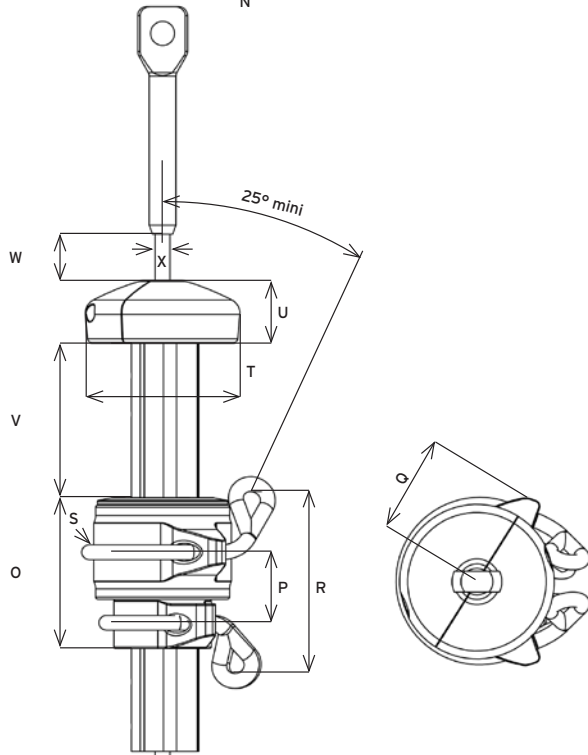
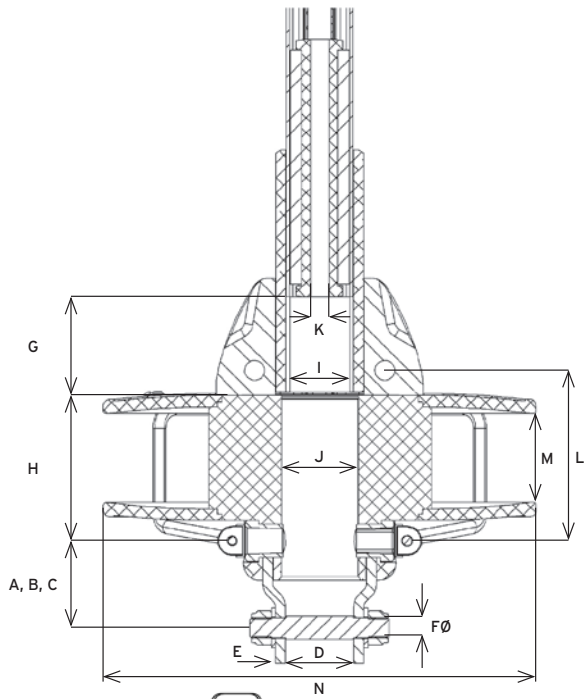
Dimensions depending on the holed plates used and whether or not a turnbuckle is used. Four main versions: short plates, inter plates, long plates, turnbuckle cover.

Distances in mm		KRS20	KRS25	KRS30	KRS40	KRS45	KRS50
A	Pin-to-pin S link plate	38,8	38,8	52,3	52,3	61,3	61,3
B	Pin-to-pin M link plate	166	166	237	240	270	270
C	Pin-to-pin XL link plate	266	266	387	390	550	550
D	Width between plates	41	41	41	41	61	61
E	Link plate thickness	4	4	6	6	6	6
F	Lower pin diameter*	10, 12, 14	12, 14, 16	12, 14, 16, 19	16, 19, 22, 25	19, 22, 25, 28	25, 28, 32, 35,
G	Max height to 1st bearing	94	60	84	59,2	88	82
H	Mecanism height	83,6	83,6	87,3	87,3	104,7	104,7
I	Max diameter inside the mechanism	34	35	46	41	54	54
J	Max diameter inside the mechanism	36	36	46	46	60	60
K	Standard inner bearing diameter*	7,5	8,5 or 10,5	8,5 or 10,5	11 or 13,5	16,5 or 20,5	16,5 or 20,5
L	Drum pin - tack point	97,6	97,6	102,2	102,2	121,7	121,7
M	Internal drum height	55,2	55,2	53,3	53,3	64	65,2
N	Drum diameter	180	180	220	260	320	320
	Tack shackle diameter	8,5	8,5	10,5	10,5	12,5	12,5
	Drum capacity according to rope diameter	20m (Ø 6) 12m (Ø 8)	20m (Ø 6) 12m (Ø 8)	20m (Ø 8) 12m (Ø 10)	28m (Ø 8) 18m (Ø 10)	33m (Ø 10) 24m (Ø 12)	33m (Ø 10) 24m (Ø 12)

* Possibility to install a turnbuckle cover.
Bolt = delivered as standard

SWIVEL dimensions and options

Distances in mm		KRS20	KRS25	KRS30	KRS40	KRS45	KRS50
O	Swivel height	87,9	87,9	87,9	101,4	126,5	126,5
P	Lashing drilling center distance	37,4	37,4	37,4	48,7	65,4	65,4
Q	Max radius	56	56	56	67,6	87,5	87,5
R	Distance between lashing eyes	80	80	80	120	140	140
S	Max lashing diameter	11	11	11	12	15	15
T	Devitop external diameter	70	70	70	104	104	104
U	Devitop Height	37	37	37	42	42	42
V	Minimum profile height above the swivel	80	80	80	80	100	150
W	Clearance between Devitop and swaging	30	30	40	40	60	60
X	Max forestay diameter	7,5	10	10	13	20	20





Learn more:



CONTACT US

► Karver Systems Headquarter:
Avenue Marcel Liabastre - 14600 Honfleur - France

► Karver Systems Sales & Showroom:
1 rue d'Estienne d'Orves - 56100 Lorient - France

Email : contact@karver-systems.com

Tél.: + 33 (0)2 31 88 37 98 - Fax: + 33 (0)2 31 88 56 43



WWW.KARVER-SYSTEMS.COM



KarverSailing



karversailing



.com/KarverSailing