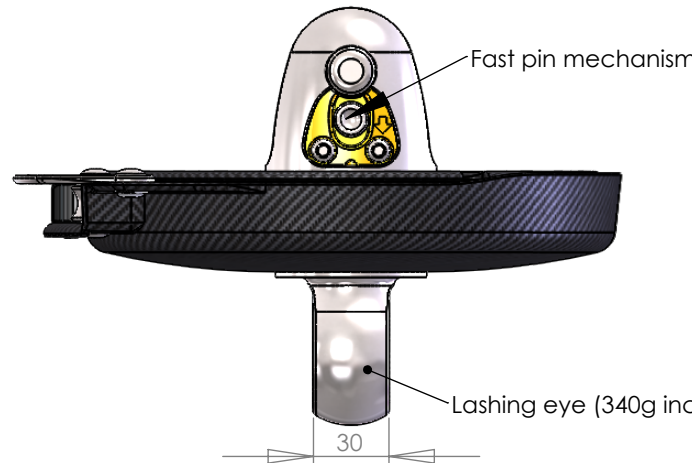
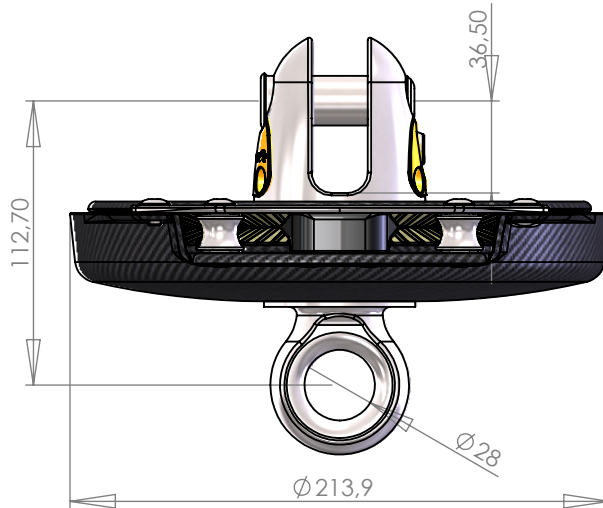


Lashing eye (295g included)

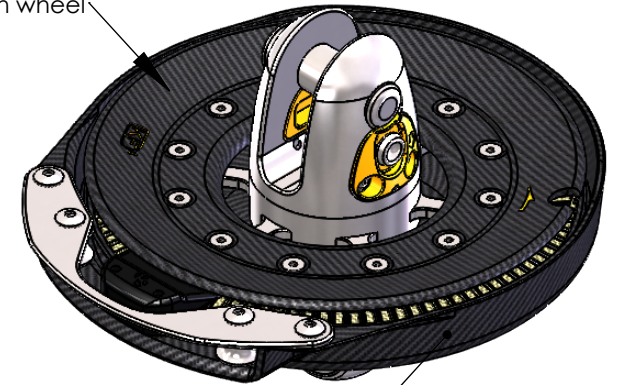
Silicone protection



Fast pin mechanism

Lashing eye (340g included)

Carbon wheel



Carbon spool

Désignation: **Emmagasineur Racing V3**

Description: *V3 Racing furler*

Maximum Working Load : 12T  
Charge de travail

Breaking Load : 24T  
Charge de Rupture

Material :  
Matière

Masse : 3678.99 (g)

Système:  
**KFR12.0**

Type	Famille	Code	Indice
<b>PF 300</b>		<b>1200 [R]</b>	

Plus d'informations sur [www.karver-systems.com](http://www.karver-systems.com) - More information on [www.karver-systems.com](http://www.karver-systems.com)

Echelle	Format	Folio
1:3	A4	1/1

**KARVER**  
sailing experience

Av. Marcel Liabastre 14600 HONFLEUR  
Tel : 02 31 88 37 98

All rights reserved