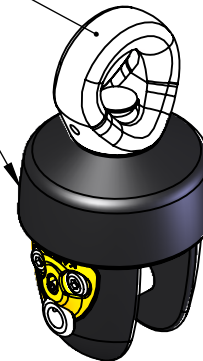


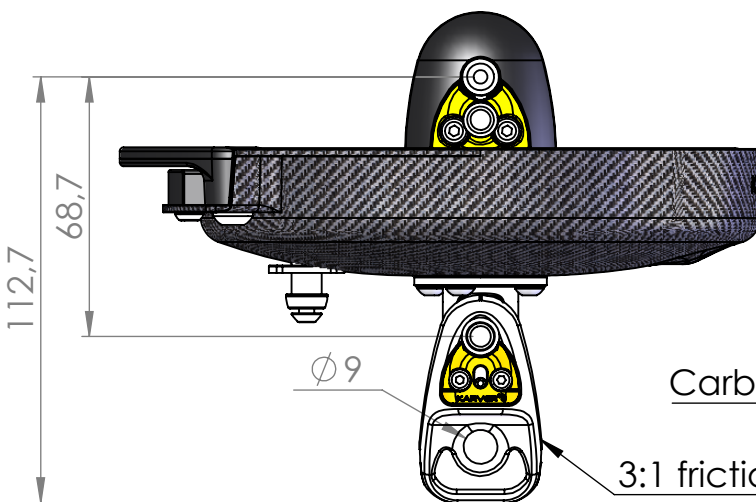
Silicone protection

Fast pin

Lashing eye (101g included)

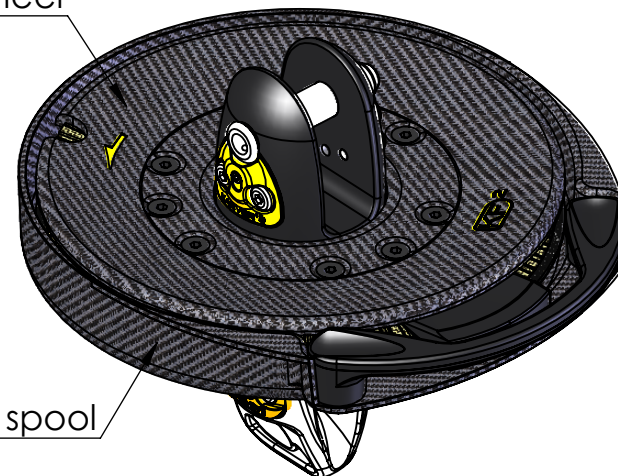


Carbon wheel



Carbon spool

3:1 friction block (136g included)



Désignation: **Emmagasineur Racing V3**

Description: *V3 Racing furler*

Maximum Working Load : 3T
Charge de travail

Breaking Load : 6T
Charge de Rupture

Material :
Matière

Masse : 1114.079 (g)

Système:
KFR3.0

| Type | Famille | Code | Indice |
|---------------|------------|------------|--------|
| PF 300 | 300 | [R] | |

Plus d'informations sur www.karver-systems.com - More information on www.karver-systems.com

| Echelle | Format | Folio |
|---------|--------|-------|
| 1:2 | A4 | 1/1 |

KARVER
sailing experience

Av. Marcel Liabastre 14600 HONFLEUR
Tel : 02 31 88 37 98

All rights reserved