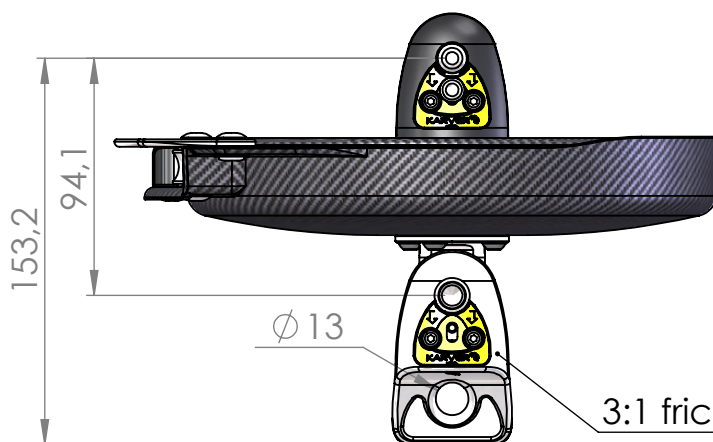
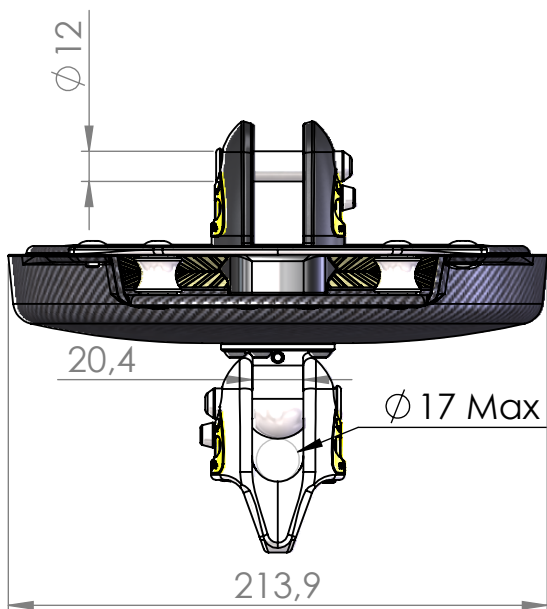


Lashing ending (55g included)

Silicone protection

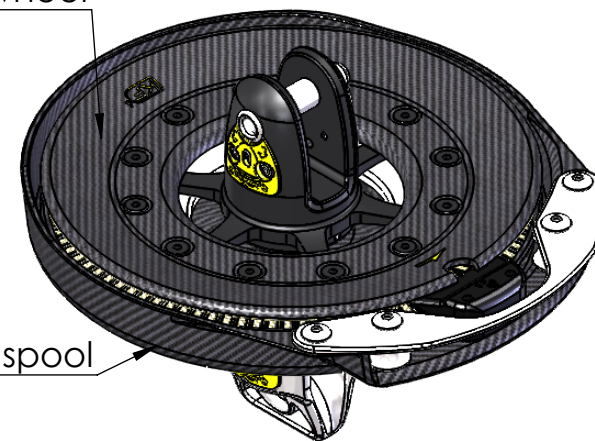
Fast pin



Carbon wheel

Carbon spool

3:1 friction sheave (390g included)



Désignation: **Emmagasineur Racing V3**

Description: *V3 racing furler*

Maximum Working Load : 6T
Charge de travail

Breaking Load : 12T
Charge de Rupture

Material :
Matière

Masse : 2252.14 (g)

Système:

Type Famille Code Indice

KFR6.0

PF 300 600 [R]

Plus d'informations sur www.karver-systems.com - More information on www.karver-systems.com

	Echelle	Format	Folio
	1:3	A4	1/1

KARVER
sailing experience

Av. Marcel Liabastre 14600 HONFLEUR
Tel : 02 31 88 37 98

All rights reserved