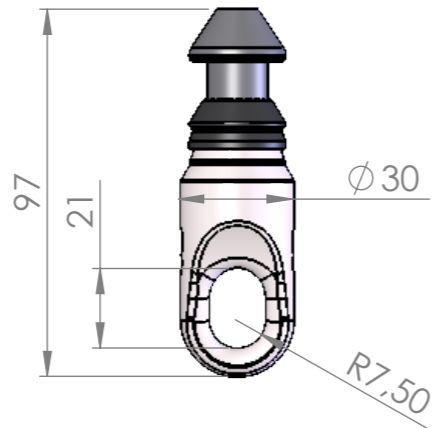
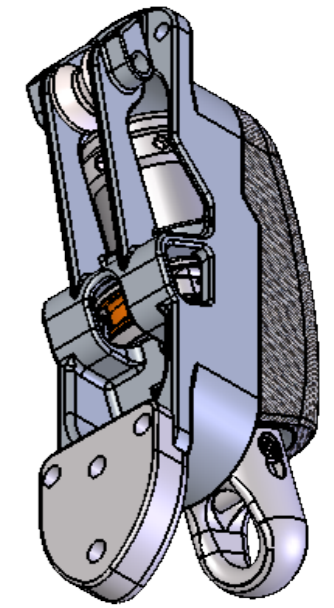
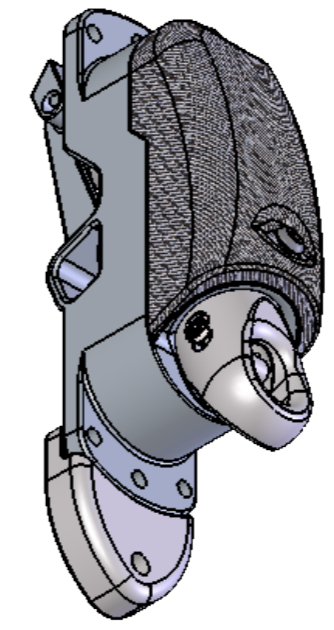
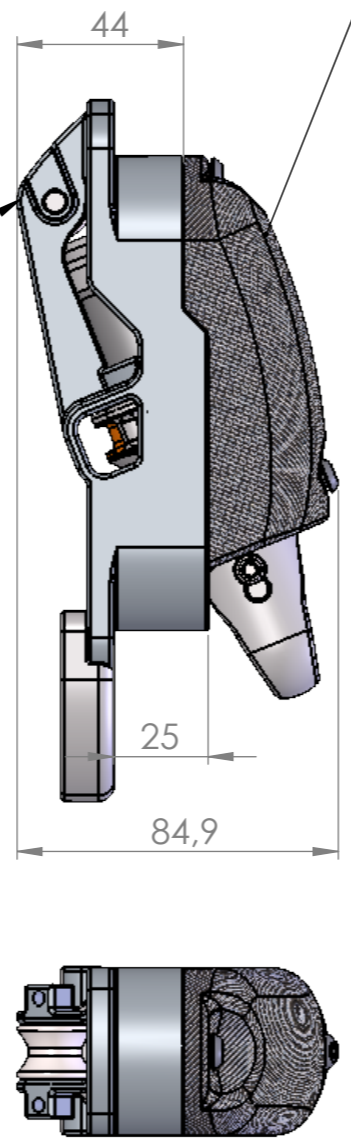



Max halyard: 6mm

This plastic part can easily be removed for servicing.



DATE	VERSION	MATERIAL	WEIGHT	SCALE
31/05/2017			1090g	1/2
MODEL		SAFE WORKING LOAD CHARGE DE TRAVAIL	 www.karver-systems.com	MORE INFOS ON <a href="http://WWW.KARVER-SYSTEMS.COM">WWW.KARVER-SYSTEMS.COM</a>
KMH5 [25mm]		5T BREAKING LOAD CHARGE DE RUPTURE 10T		
PART NUMBER: PF370005 [25]			FORMAT	A4