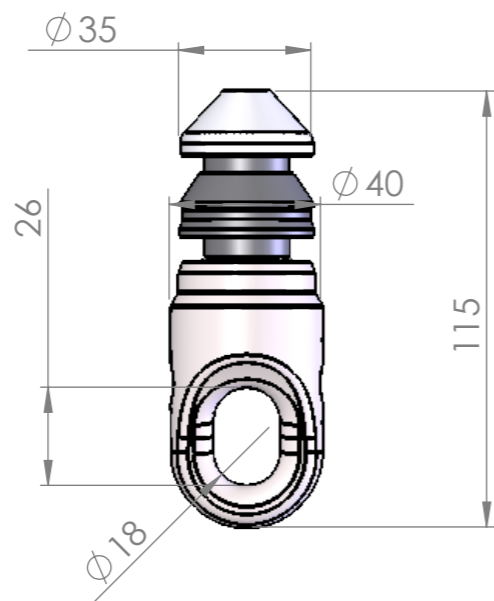
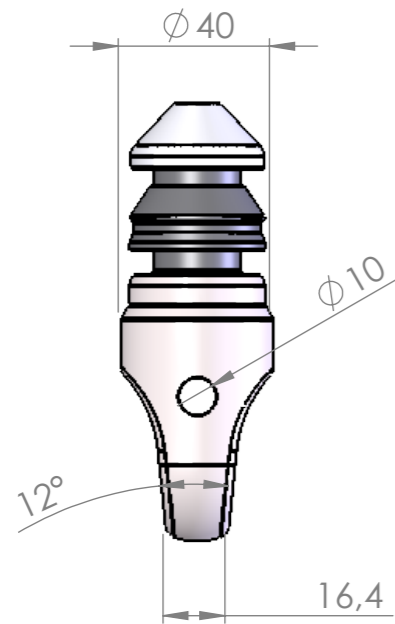
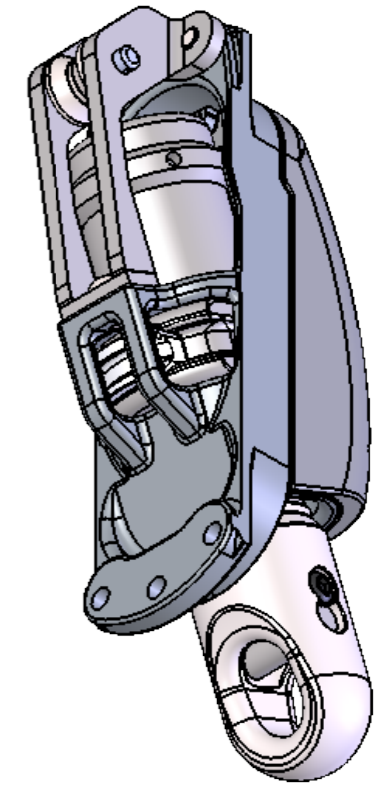
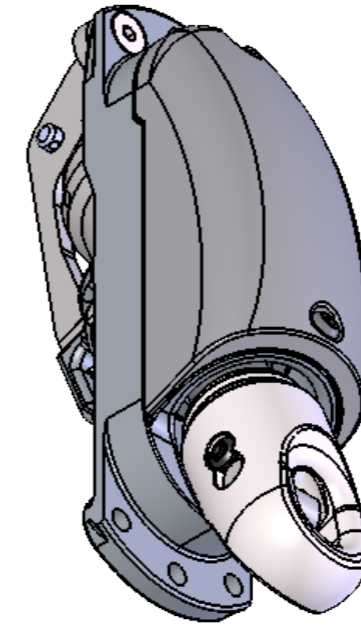
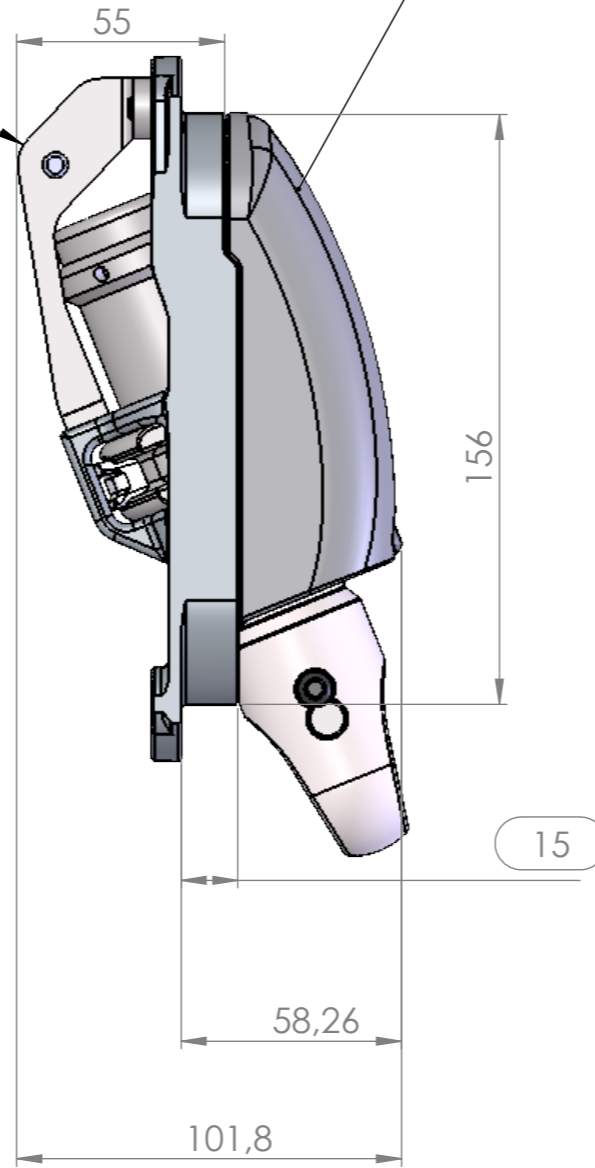



Max halyard: 8mm

Inside mast contact surface

This plastic part can easily be removed for servicing.



DATE	VERSION	MATERIAL	WEIGHT	SCALE
31/05/2017			1800g	1/2
MODEL		SAFE WORKING LOAD CHARGE DE TRAVAIL	8T	 www.karver-systems.com
KMH8 [15mm]		BREAKING LOAD CHARGE DE RUPTURE	16T	

PART NUMBER: PF370008 [15]

MORE INFOS ON WWW.KARVER-SYSTEMS.COM

FORMAT
A4