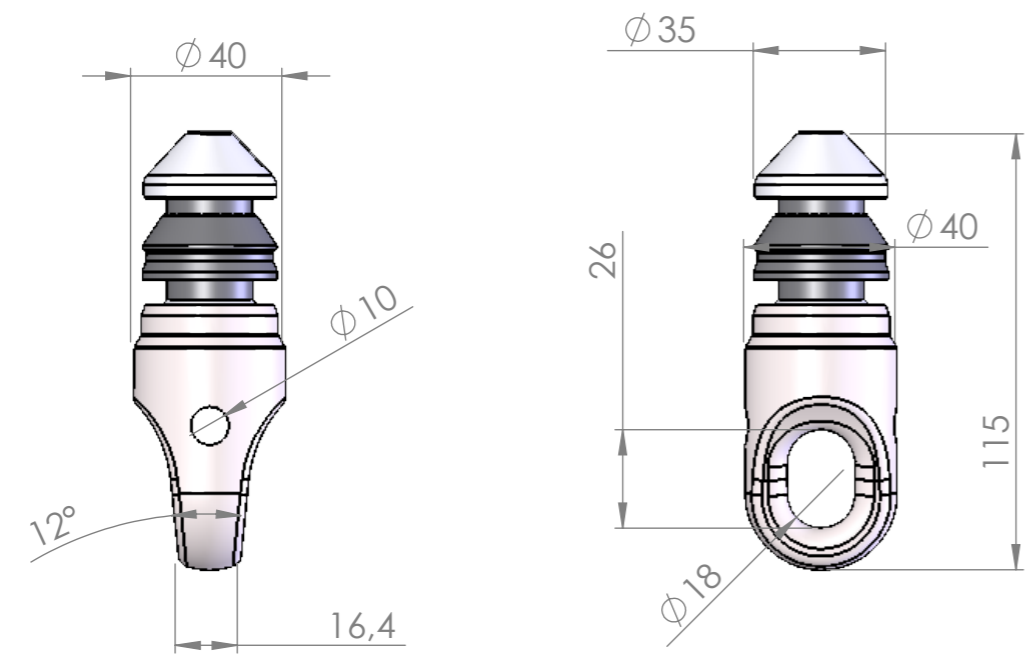
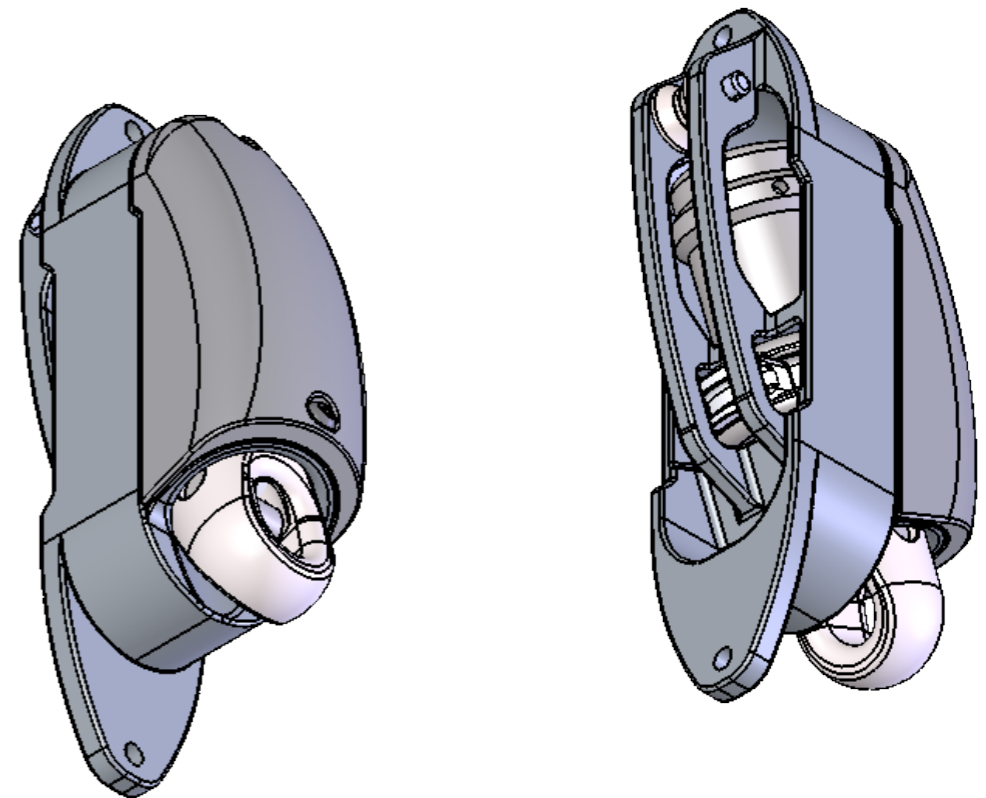



This plastic part can easily be removed for servicing.



DATE	VERSION	MATERIAL	WEIGHT	SCALE
31/05/2017			2080g	1/2
MODEL		SAFE WORKING LOAD CHARGE DE TRAVAIL	8T	 www.karver-systems.com
KMH8 [30mm]		BREAKING LOAD CHARGE DE RUPTURE	16T	
PART NUMBER: PF370008 [30]				MORE INFOS ON <a href="http://WWW.KARVER-SYSTEMS.COM">WWW.KARVER-SYSTEMS.COM</a> FORMAT A4