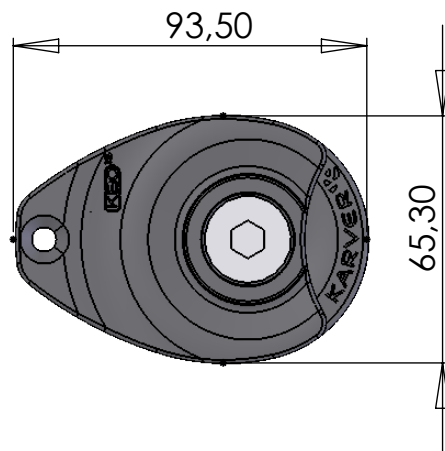



Balls and roller-bearing block
Poulie à billes rouleaux



DATE	VERSION	MATERIAL	WEIGHT	SCALE
22/06/17	V1	Aluminium	196g	1/2
MODEL KBO15FB		SAFE WORKING LOAD <i>CHARGE DE TRAVAIL</i> 1.8T	 www.karver-systems.com	
		BREAKING LOAD <i>CHARGE DE RUPTURE</i> _____		
PART NUMBER: PF670030 [FB]			MORE INFOS ON WWW.KARVER-SYSTEMS.COM	FORMAT A4