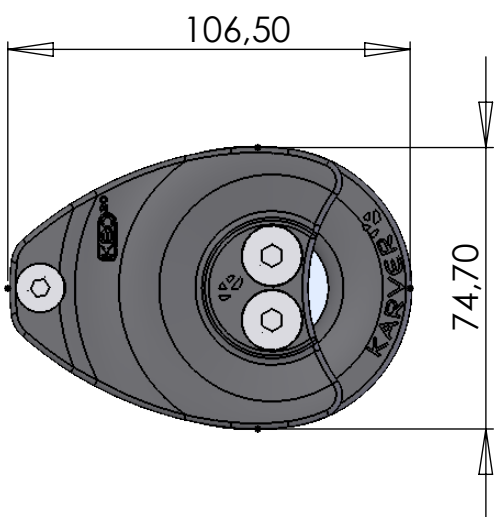



Balls and roller-bearing block
Poulie à billes rouleaux



DATE	VERSION	MATERIAL	WEIGHT	SCALE
22/06/17	V1	Aluminium	261g	1/2
MODEL KBO20FB		SAFE WORKING LOAD CHARGE DE TRAVAIL 2.6T	 www.karver-systems.com	
		BREAKING LOAD CHARGE DE RUPTURE _____		
PART NUMBER: PF680030 [FB]			MORE INFOS ON WWW.KARVER-SYSTEMS.COM	
				FORMAT A4