

1

2

3

4

5

6

A

A

B

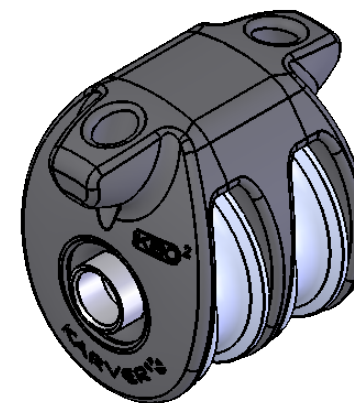
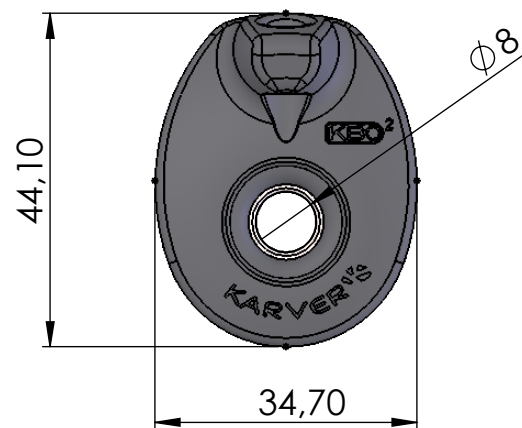
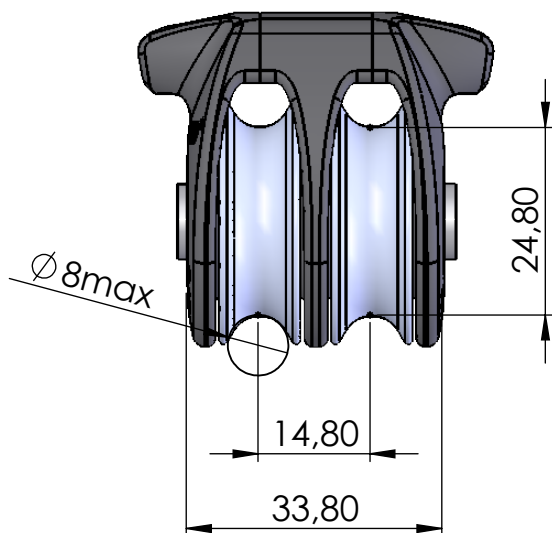
B

C


C

D

D



Balls-bearing block
Poulie à billes

DATE	VERSION	MATERIAL	WEIGHT	SCALE
20/06/17	V1	Plastic / Aluminium	50g	1/1
MODEL		SAFE WORKING LOAD CHARGE DE TRAVAIL	 www.karver-systems.com	
KBO2 Double		350Kg BREAKING LOAD CHARGE DE RUPTURE _____		
PART NUMBER: PF790030 [D]				MORE INFOS ON WWW.KARVER-SYSTEMS.COM FORMAT A4

1

2

3

4

5

6