

1

2

3

4

5

6

A

A

B

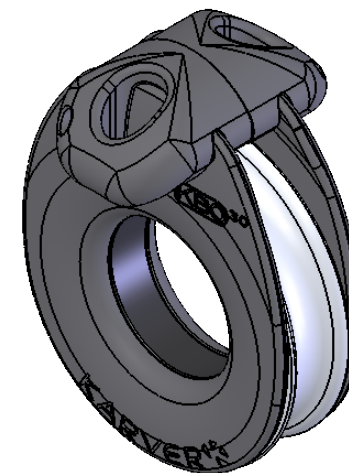
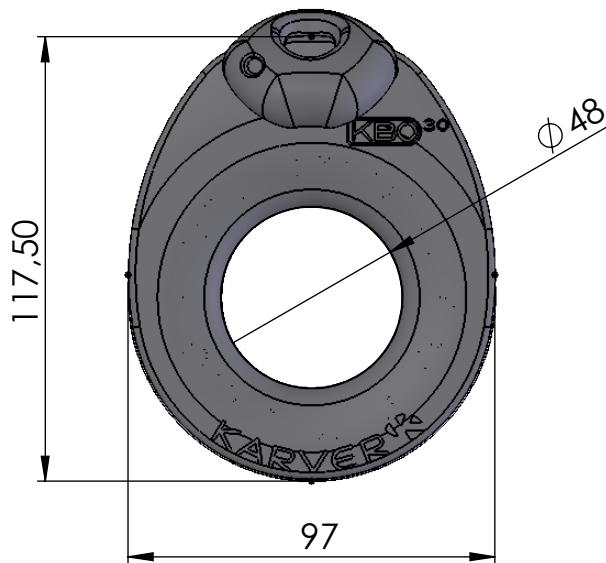
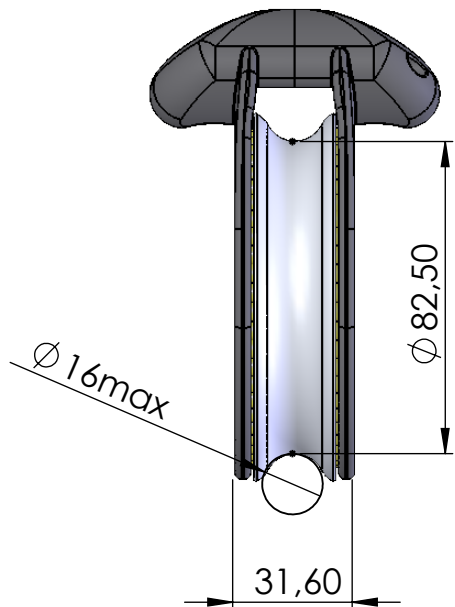
B

C


C

D

D



Balls and roller-bearing block  
Poulie à billes rouleaux

DATE	VERSION	MATERIAL	WEIGHT	SCALE
21/06/17	V1	Aluminium	334g	1/2
MODEL <b>KBO30</b>		SAFE WORKING LOAD CHARGE DE TRAVAIL <b>3.5T</b>	 www.karver-systems.com	
		BREAKING LOAD CHARGE DE RUPTURE _____		
PART NUMBER: PF690030			MORE INFOS ON WWW.KARVER-SYSTEMS.COM	FORMAT <b>A4</b>

1

2

3

4

5

6