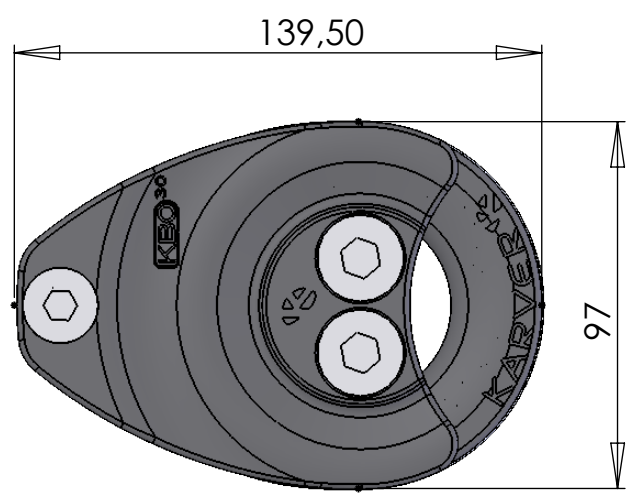



Balls and roller-bearing block  
*Poulie à billes rouleaux*



DATE	VERSION	MATERIAL	WEIGHT	SCALE
22/06/17	V1	Aluminium	482g	1/2
MODEL <b>KBO30FB</b>		SAFE WORKING LOAD CHARGE DE TRAVAIL <b>3.5T</b>	 www.karver-systems.com	
		BREAKING LOAD CHARGE DE RUPTURE —		

**PART NUMBER: PF690030 [FB]**

MORE INFOS ON [WWW.KARVER-SYSTEMS.COM](http://WWW.KARVER-SYSTEMS.COM)

FORMAT  
**A4**