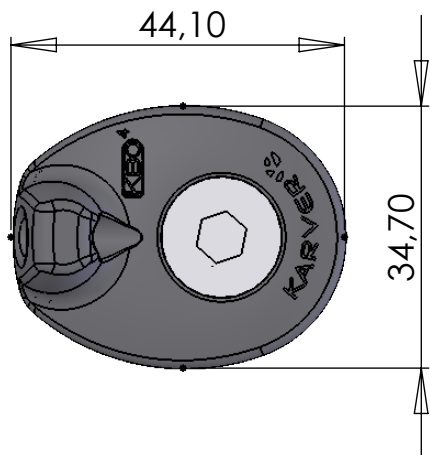



Balls-bearing block
Poulie à billes



DATE	VERSION	MATERIAL	WEIGHT	SCALE
21/06/17	V1	Plastic / Aluminium	29g <i>Without crew/sans visserie</i>	1/1
MODEL KBO4FB		SAFE WORKING LOAD <i>CHARGE DE TRAVAIL</i> 400Kg	 www.karver-systems.com	
		BREAKING LOAD <i>CHARGE DE RUPTURE</i> _____		
PART NUMBER: PF650030[FB]			MORE INFOS ON WWW.KARVER-SYSTEMS.COM	FORMAT A4