

1

2

3

4

5

6

A

A

B

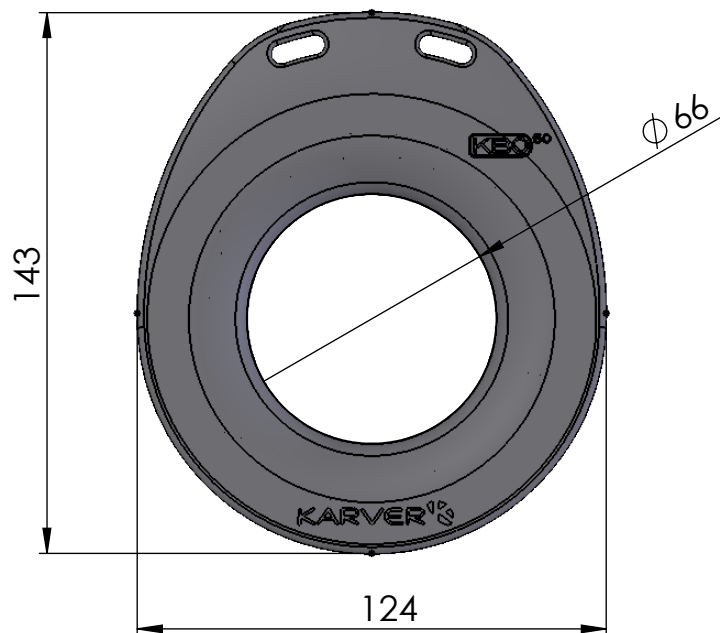
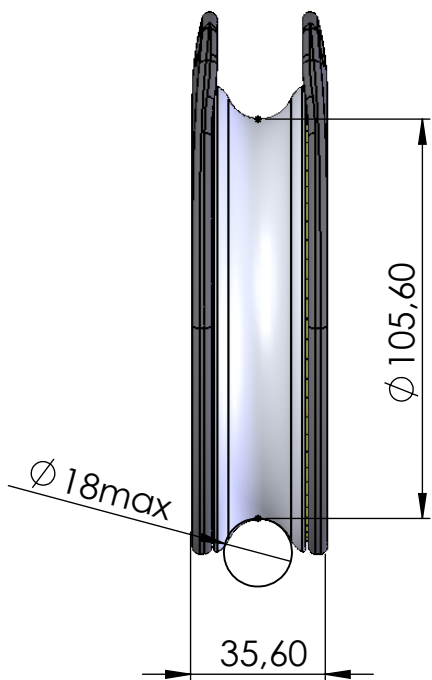
B

C

C

D

D



Balls and roller-bearing block
Poulie à billes rouleaux

DATE	VERSION	MATERIAL	WEIGHT	SCALE
21/06/17	V1	Aluminium	610g	1/2
MODEL KBO50		SAFE WORKING LOAD <i>CHARGE DE TRAVAIL</i> 5T	 www.karver-systems.com	
		BREAKING LOAD <i>CHARGE DE RUPTURE</i> _____		
PART NUMBER: PF810030			MORE INFOS ON WWW.KARVER-SYSTEMS.COM	FORMAT A4

1

2

3

4

5

6