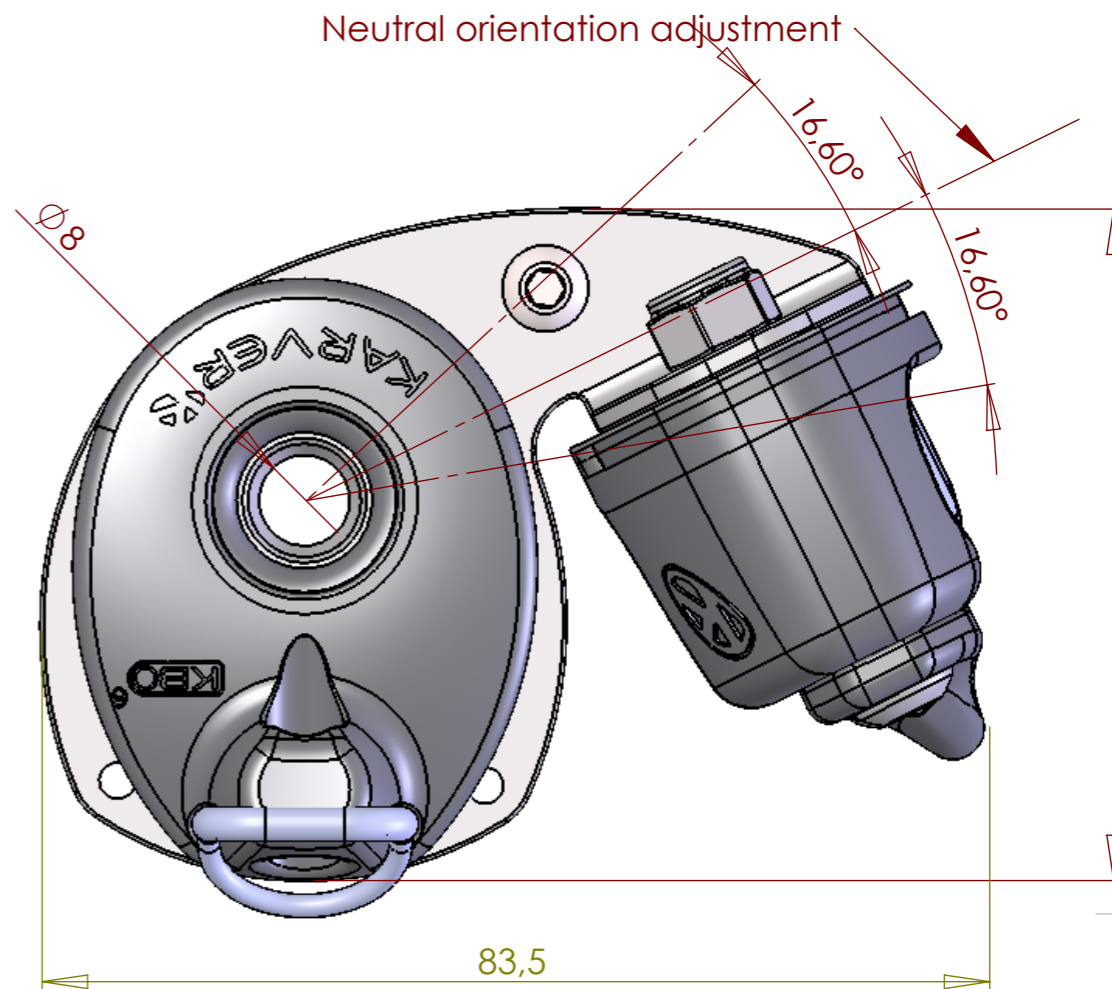


Textile shackle



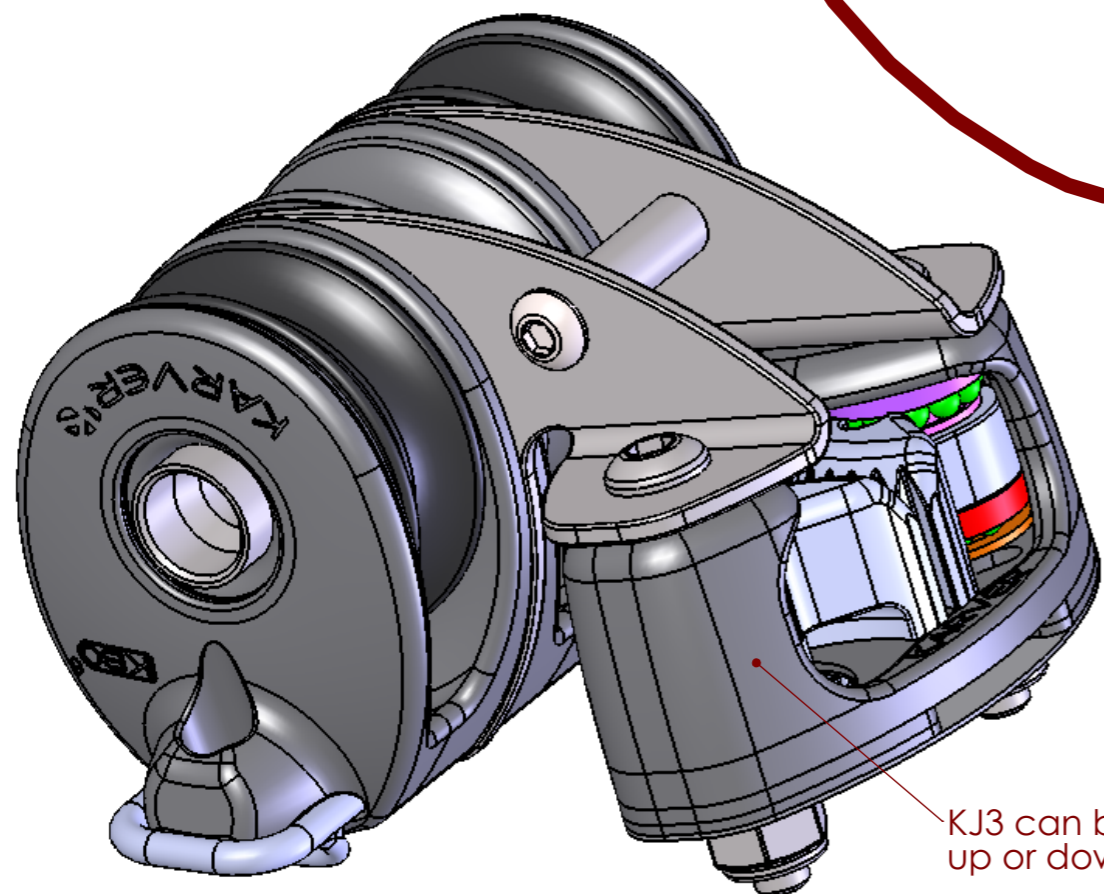
Neutral orientation adjustment

16,60°

16,60°

83,5

59,2



KJ3 can be installed up or down

**MAX WORKING LOAD: 900Kg**  
**TOTAL WEIGHT: 348g**

DATE	MODIFICATIONS APORTEES	NOM	VISA	IND.
MATIERE ET ETAT	TOLERANCE GENERALE	EVOLUTION DU DOCUMENT		
TRAITEMENT; CARACTERISTIQUES MECANIKES	ETAT DE SURFACE GENERAL	DESS. PAR Le: M.C	MASSE	ECHELLE
FINITION	PROTECTION	FOLIO		
ATTACHEMENT	MATERIEL			
DESIGNATION	<b>KBO6 TRIPLE CAM</b>		<a href="http://www.karver-systems.com">www.karver-systems.com</a>	
<b>PRESENTATION</b>	<b>CODE PRODUIT K</b>	<b>CODE PIECE</b>	FORMAT A3	