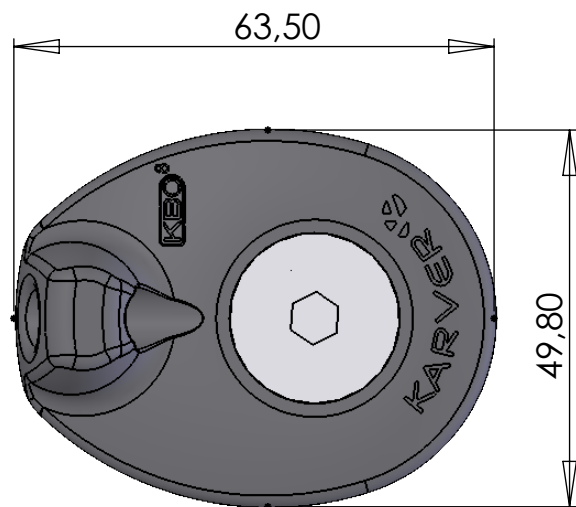


Balls and roller-bearing block
Poulie à billes rouleaux



DATE	VERSION	MATERIAL	WEIGHT	SCALE
22/06/17	V1	Plastic / Aluminium	80g	1/1
MODEL KBO8FB		SAFE WORKING LOAD <i>CHARGE DE TRAVAIL</i> 800Kg	 www.karver-systems.com	
		BREAKING LOAD <i>CHARGE DE RUPTURE</i> _____		

PART NUMBER: PF890030 [FB]

MORE INFOS ON WWW.KARVER-SYSTEMS.COM

FORMAT
A4