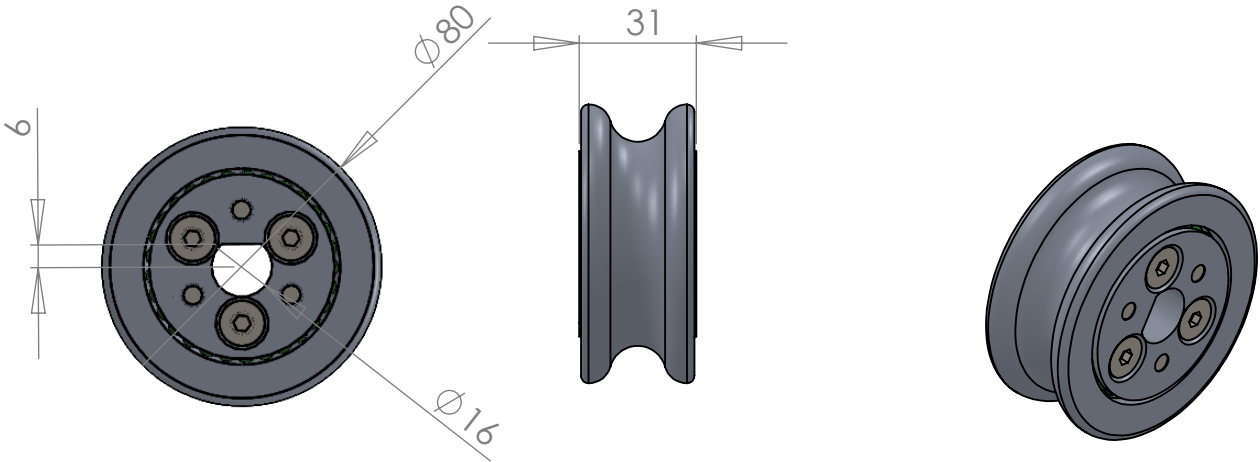


Total Weight : 262g

**PF980040**



Total Weight : 265g

**PF980040 [FP]**

DATE	RECORD OF CHANGES	NAME	VISA	IND.
MATERIAL	GENERAL TOLERANCES JS13js13	EVOLUTION OF DOCUMENT		
MECHANICAL PROPERTIES HEAT TREATMENT	SURFACE STATE Ra 1.6	Drawing by Q.L.	WEIGHT	SCALE
FINISHING	PROTECTION	FOLIO		
ATTACHEMENT	ASSEMBLY			
PART NAME KDS 40 sheave	KDS 40			
PRODUCT CODE <b>K</b>	PART NUMBER	FORMAT A4		