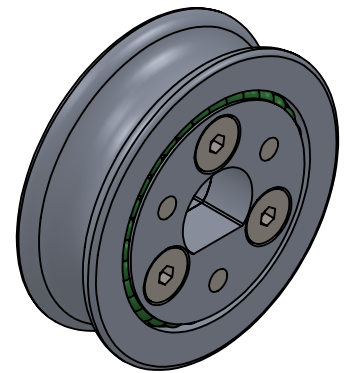
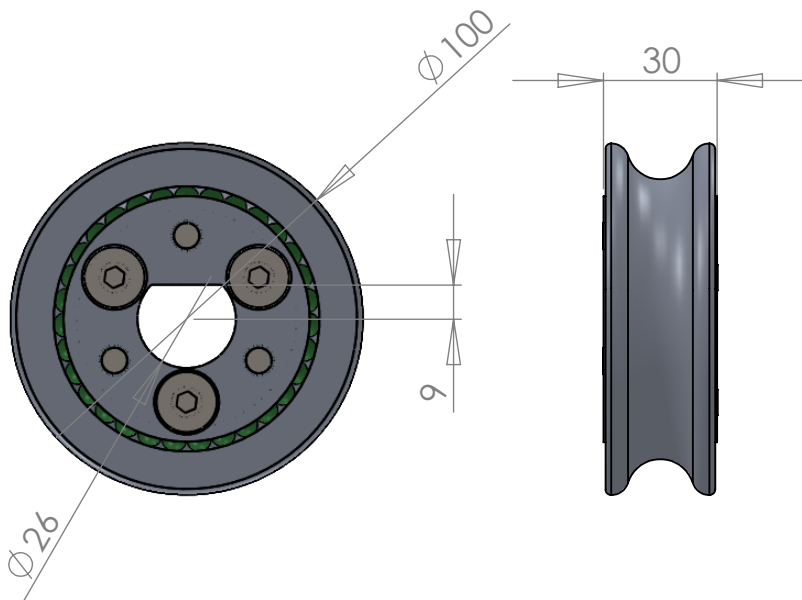


Total Weight : 405g

PF980060



Total Weight : 410g

PF980060 [FP]

DATE	RECORD OF CHANGES	NAME	VISA	IND.	
MATERIAL		GENERAL TOLERANCES JS13js13		EVOLUTION OF DOCUMENT	
MECHANICAL PROPERTIES HEAT TREATMENT		SURFACE STATE Ra 1.6		Drawing by Q.L. WEIGHT SCALE	
FINISHING		PROTECTION		FOLIO	
ATTACHEMENT		ASSEMBLY		 www.karver-systems.com	
PART NAME KDS 60 sheave		KDS 60			
PRODUCT CODE K		PART NUMBER			FORMAT A4