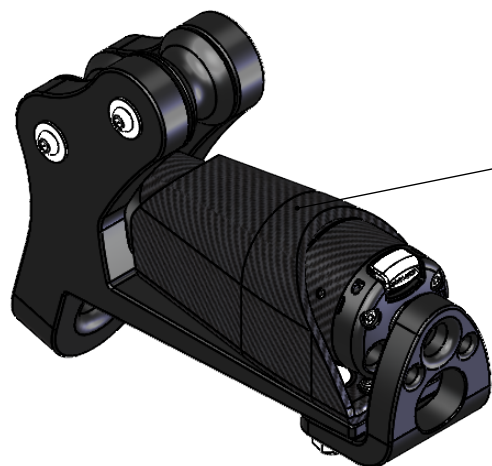
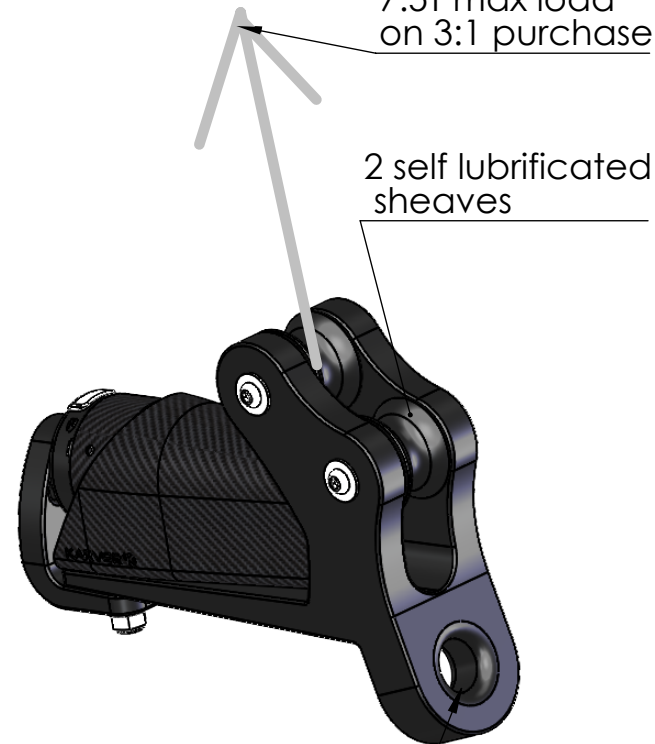
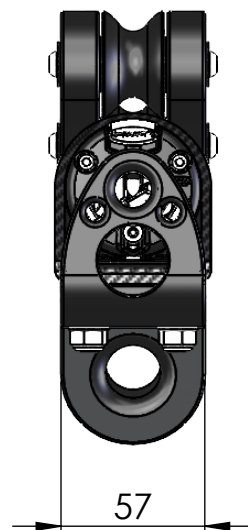
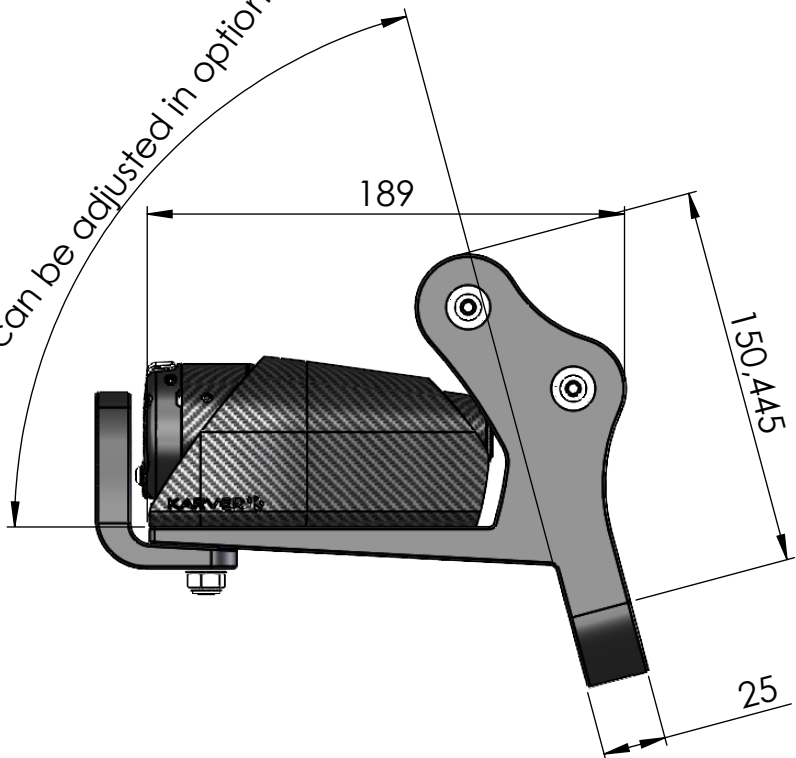


75° can be adjusted in option



KJ25
Max load: 2.5T
Max Rope: 14mm

Ø22 Lashing attachment

Désignation: **KJSK25 – KIT KJC25 TRINQUETTE (LASHING)**

Description: *KJSK25 – KJC25 STAYSAIL KIT (LASHING)*

Maximum Working Load : 7.5T
Charge de travail

Breaking Load :
Charge de Rupture

Material : ---
Matière

Masse : 1856.02 (g)

Système:

Type Famille Code Indice

KJC

PF 855 250

Plus d'informations sur www.karver-systems.com - More information on www.karver-systems.com

	Echelle	Format	Folio
	1:3	A4	1/1

KARVER[®]
sailing experience

Av. Marcel Liabastre 14600 HONFLEUR
Tel : 02 31 88 37 98

All rights reserved